

Single lamp, low-voltage halogen, recessed accent light, nominal 6" (160mm) diameter flat trim with 4" (100mm) aperture and optional glass diffuser. Accent and downlighting in medium to high ceiling heights typically found in residential, commercial and retail applications. Suitable for new construction.

JOB: _____
SPECIFIER: _____
TYPE: _____
QUANTITY: _____
SIGNATURE: _____

SPECIFICATIONS

HOUSING

- Precision die-formed heavy gauge aluminum with machined adjustable ceiling collar

MOUNTING

- Recessed in architectural ceiling

ELECTRICAL

- Integral dimmable electronic torroidal magnetic transformer
- 120v primary lead, (220v, 240v, 277v available), 11.75v secondary with overload protection. Remote transformer available

LAMP

- AR111, 75w max. supplied by others

SOCKET

- Precision aluminum yoke with CNC machined lampholder assembly
- Quick connect terminals with high temperature, teflon coated lead wires

LENS

- Optional borosilicate lenses available for lampholder and aperture


TRIM

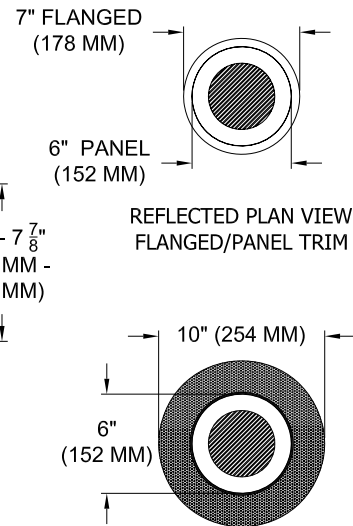
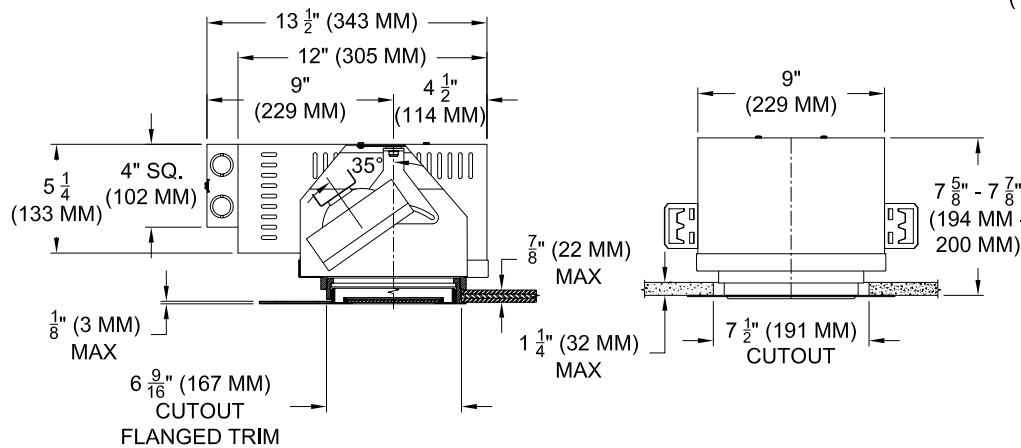
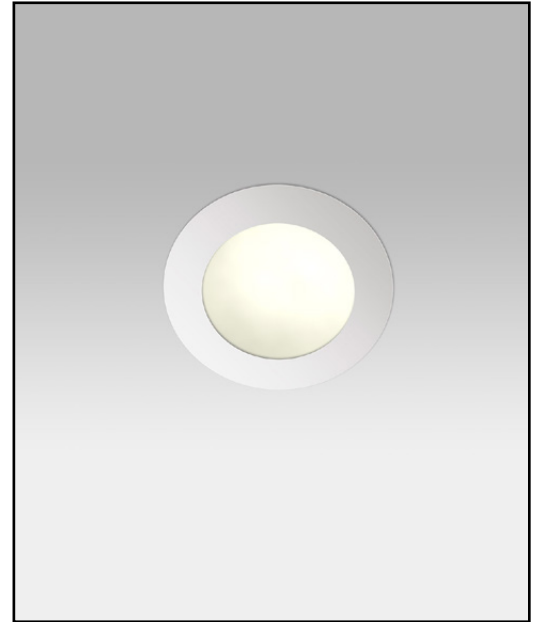
- Flanged or flangeless, one piece die-cast aluminum plate with round aperture
- ST trim fully sealed and gasketed

FINISH

- Black powder paint housing
- Aperture trim available in black and white as standard
- Solid wood, additional colors, RAL palette, custom finishes

LABELS

-  , US tested to UL standards 1598, Damp location, Wet with ST trim,



ORDERING INFORMATION

1000-AR111-UH	TRIM	TRANSFORMER	LENS HOLDER	LAMP LENS	TRIM FINISH	APERTURE LENS
Universal Housing	FT =Flanged Trim PT =Panel Trim** ST =Shower Trim* ZT =Zero Trim **WXX only *Aperture lens required	TX =Magnetic / 120v EX =Electronic / 220v EXS =Elect. SORAA* RX =Remote / 240v 277v *Standard 120v	FL = Flat	Blank = None 91L =Solite 92L = Supertex 95L = Full Prismatic 97L = Black Hexcell	P14 = White BLK =Black PXX = SLI Color WXX = Wood XXXX = RAL # CST = Custom	Blank = None 91A = Solite 92A = Supertex 93A = Frosted 95A = Full Prismatic



Patent Pending.
 These specifications subject to change without notice.

www.specialtylightingindustries.com
 1306 Doris Avenue, Ocean, NJ 07712 USA
 800.462.7812 732.517.0800 FAX:732.517.0971