

Dual lamp, solid state light engine, recessed accent lights with (2) 4" (106mm) trim, round aperture and optional glass diffuser. Accent and downlighting in low to medium ceiling heights typically found in residential, commercial and retail applications. Suitable for new or existing construction in sheetrock ceilings. AmbientDim™ provides Superior CRI at all dimming levels.

SPECIFICATIONS

HOUSING

- Precision die-formed heavy gauge aluminum

MOUNTING

- Install from below in sheetrock ceiling

ELECTRICAL

- Integral dimmable electronic driver with internal short circuit protection

LAMP

- (2) AmbientDim™ LED supplied with fixture

SOCKET

- Precision die-formed aluminum yoke with CNC machined lampholder assembly

LENS

- Interchangeable reflector provides multiple beam patterns
- Optional borosilicate lenses available for lampholder and aperture

TRIM

- Flangeless, one piece die-cast aluminum 2 flat round plates and round aperture

FINISH

- Black powder paint housing
- Aperture trim available in white as standard

LABELS

-  , US tested to UL standards 1598, Damp location

JOB: _____

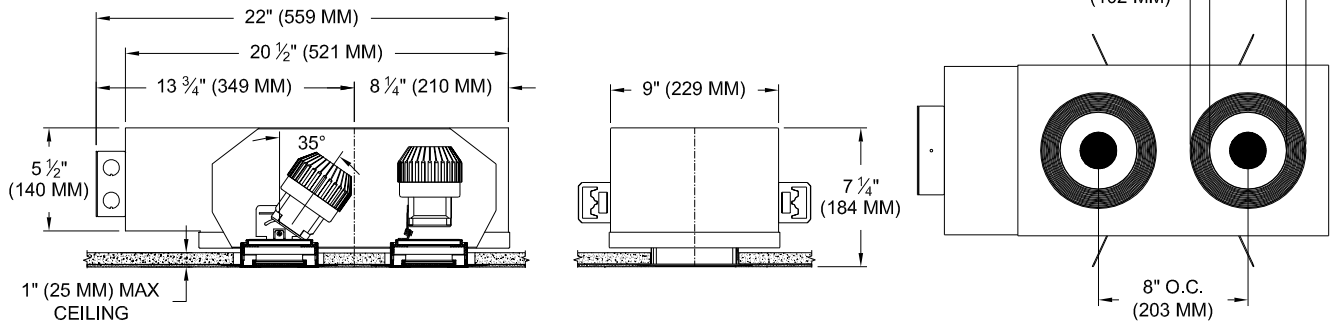
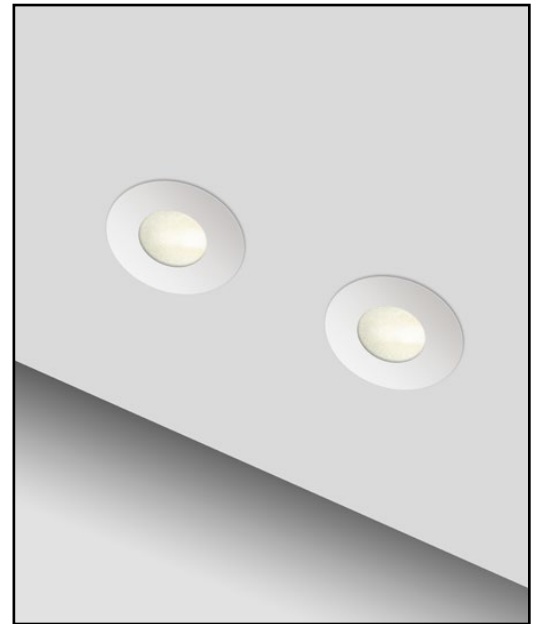
SPECIFIER: _____

TYPE: _____

QUANTITY: _____

SIGNATURE: _____

 AmbientDim™



ORDERING INFORMATION

1000-2MDL-LED-AD-PH	TRIM	SOURCE / DRIVER	BEAMSPREAD	TRIM FINISH	APERTURE LENS
		AD14 /		P14	
Ambient Dimming LED *CCT Max 3000K-1900K	ZT =Zero Trim SZT = Shower Zero Trim* *Req. Aperture Lens	AD14 =350ma, 14.5W, 1000lm S1 =0-10V dimming, 1%, 120-277v T1 =TRIAC/ELV 2-wire, 3% 120v (Lead/Trail Edge) E1 =EldoLED 0-10V Logarithmic Dim, 0.1%, 120-277v E2 =EldoLED DALI, 0.1%, 120-277v E3 =EldoLED 0-10V Linear Dim, 0.1%, 120-277v L2 =Ltrn Hi-lume 1% 2-wr LED driver (120v fwd phase) L3 =Lutron Hi-lume 1% 3-wire/EcoSystem, 120-277v LTB =Lutron Hi-lume 1% EcoSys LED driver, 1%, 120-277v, Soft-on, Fade-to-Black	15 = 15 Degrees 24 = 24 Degrees 38 = 38 Degrees 60 = 60 Degrees	P14 = White	91A = Solite 93A = Frosted



Patent Pending.
These specifications subject to change without notice.

www.specialtylightingindustries.com
1306 Doris Avenue, Ocean, NJ 07712 USA
800.462.7812 732.517.0800 FAX:732.517.0971