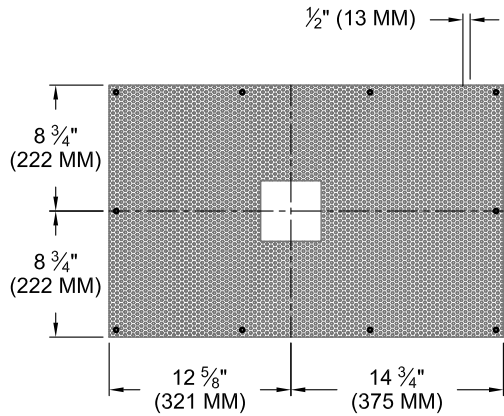
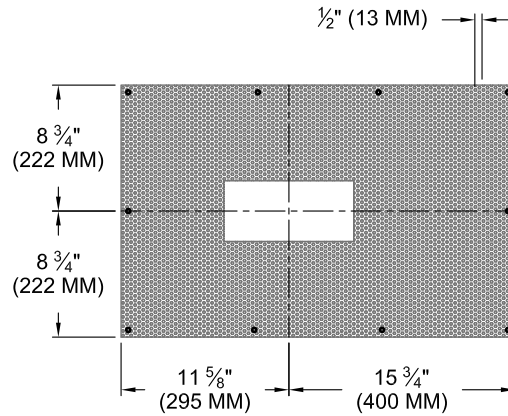


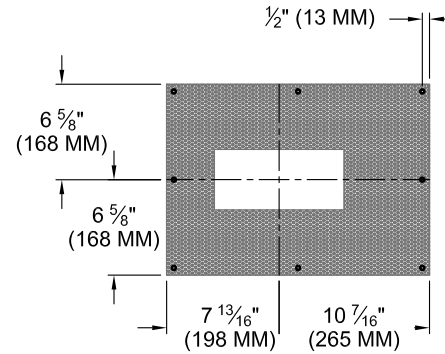
# APERTURE CENTERLINE 2 LIGHT MR16 HOUSING



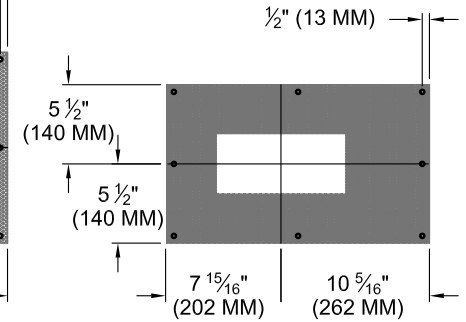
**"M" - APH**



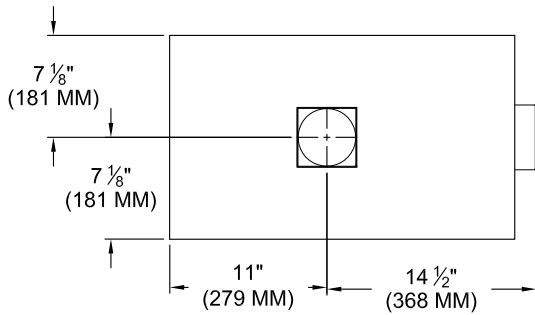
**APH**



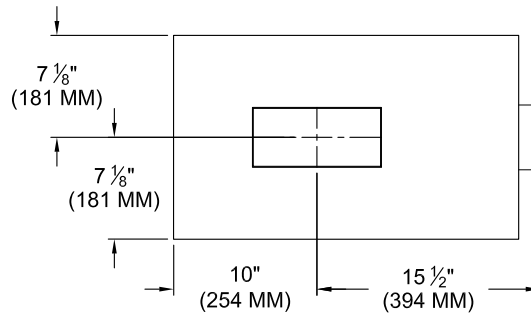
**SPH**



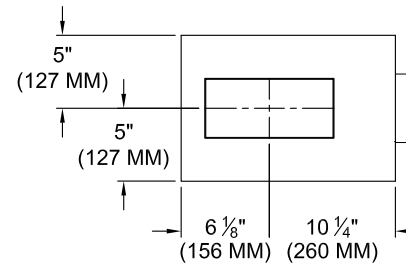
**PH**



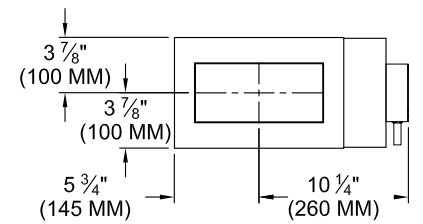
**"M" - AUH  
("M" - AWH)**



**AUH  
(AWH)**



**SUH  
(SWH)**



**UH  
(WH)**



**SPECIALTY LIGHTING  
INDUSTRIES, INC.**

1306 DORIS AVENUE, OCEAN, NJ 07712 USA

[www.specialtylightingindustries.com](http://www.specialtylightingindustries.com)

800.462.7812 732.517.0800 FAX 732.517.0971