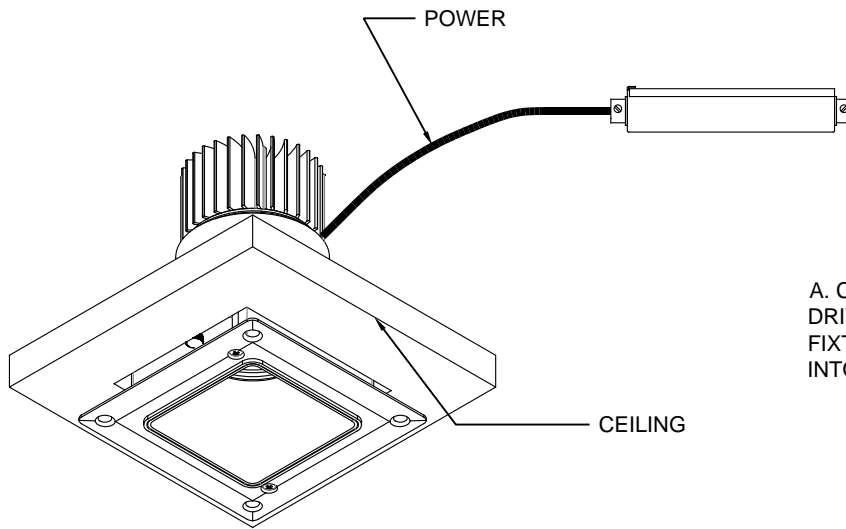
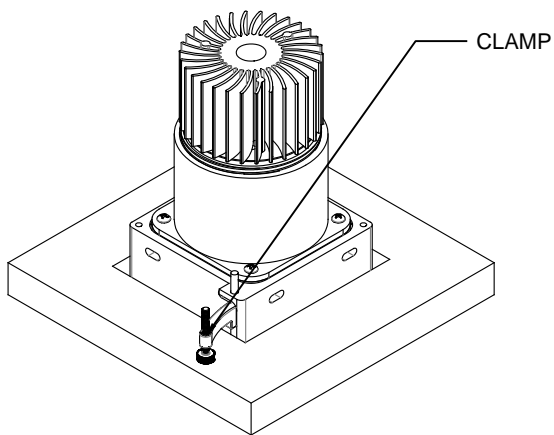


# 4509 PH INSTALL INSTRUCTION



A. CONNECT POWER TO DRIVER ENCLOSURE. INSTALL FIXTURE THROUGH CUTOUT INTO CEILING.

**FIG A**

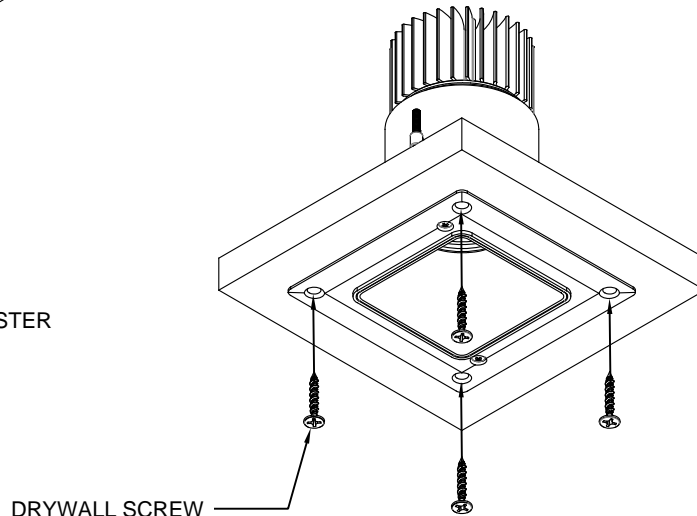


B. ROTATE AND ADJUST CLAMPS WITH SCREWS UNTIL THEY ENGAGE CEILING

**FIG B**

C. INSTALL DRYWALL SCREWS TO SECURE PLASTER FLANGE TO THE CEILING. TEST WITH POWER.

**\*\*IT IS RECOMMENDED THAT THESE PRODUCTS ARE INSTALLED BY A QUALIFIED ELECTRICIAN\*\***



**FIG C**