

Instruction Sheet for 4509-LED-PT No Housing for Wood Ceiling Install

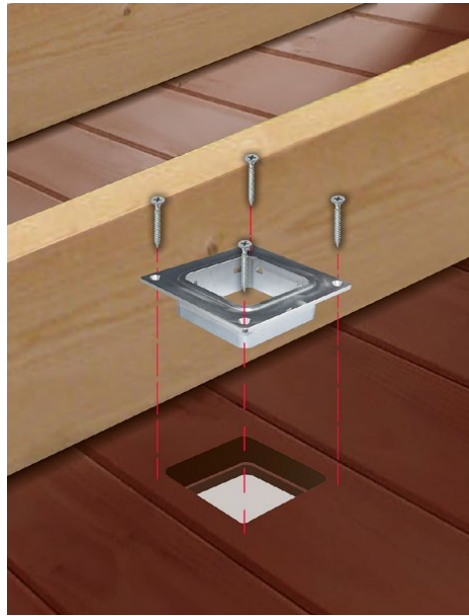


It is recommended these products be installed by a qualified electrician.

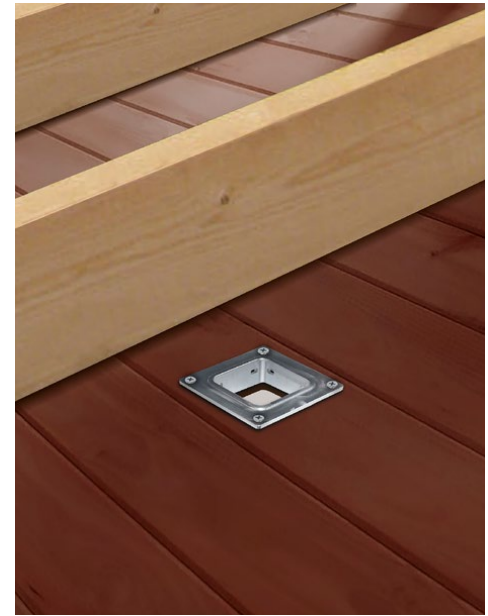
Note: This product must be installed in accordance with the applicable installation code by a person familiar with the construction and operation of the product hazards involved



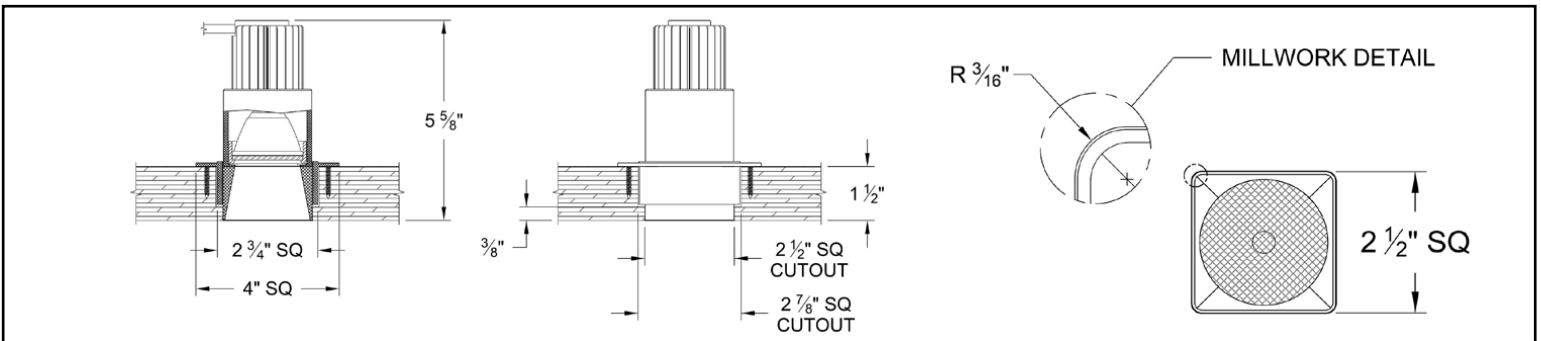
Step 1- Cut opening to fit housing installation. (see drawing below for specific cutout size details).



Step 2- Attach flanged collar to top-side of wood ceiling with 4 screws.



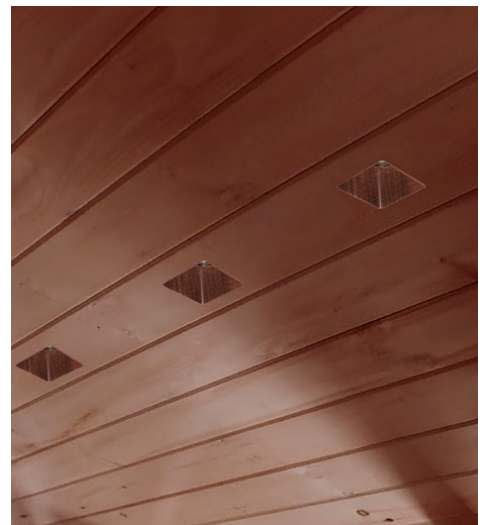
Step 3- Complete electrical connections and slide driver enclosure through ceiling opening.



Step 4 - Push driver through collar and make sure safety cable is attached to lamp assembly and driver box.



Step 5 - Ball plungers on lamp assembly click into metal flange in ceiling. If plungers are not secured to metal flange, lamp assembly might fallout.



Step 6 - Finish installation. Test with power.