



GRO-F-RD - Recessed Accent Open Aperture Downlight - Fixed, Round

Graffiti GRO Series (open aperture of 65mm); fixed round recessed accent downlight. Die cast aluminium fixture. Die cast aluminium trim available in white or black as standard. Custom RAL available.

Overall Height: 102mm (with trim)
Overall Width: Varies, see trims (Page 2)

Aperture Size: 65mm Ø
Trim Regress: 20mm
Ceiling Cut Out Size: (See Page 2)

Trim

One piece die cast aluminium, flanged or flangeless trim with regressed bevel and overlap for flange. Available for wet locations. Accommodates up to 25.4mm ceiling thickness as standard.

ZT/ZST - For use in plaster/GWB ceilings
FT/FST - For use in architectural ceilings

LED

AD - Ambient Dim - 1900-3000k, 97 CRI
AD14 - 14.5W / 1000lm (LED) / 882lm (Delivered)
CZ - Citizen - 2700-4000k, 90+ CRI
CZ20 - 20W / 2265lm (LED) / 1424lm (Delivered)

For Xicato options, please contact sales team.

Trim Finish

White, black, or custom RAL colours available.

Warranty

5 Year limited on LED and driver. See website for details.

Electrical

DA - DALI Dimming down to 0.1%
DAE - DALI Emergency
ND - Switched, Non-Dimming
NDE - Switched, Non-Dimming Emergency

Lens/Beam

91A - Solite*
79A - Frosted Acrylic*
SP - Spot - 15°
NF - Narrow - 24°
FL - Flood - 38°
WF - Wide Flood - 60°

* Both lenses included.

IP Rating

Standard fixture with lens is IP20. For IP65, lens must be completely sealed with shower trim.

Additional LED Information

LED	Power	Output *	Lm/W	CCT	CRI	Beam
AD14	14W	882lm	63lm/w	19-30 (CCT)	97	SP/NF/FL/WF
CZ20	20W	1424lm	71lm/w	27/30/35/40	90+	SP/NF/FL/WF

*Delivered Output

Lens Detail

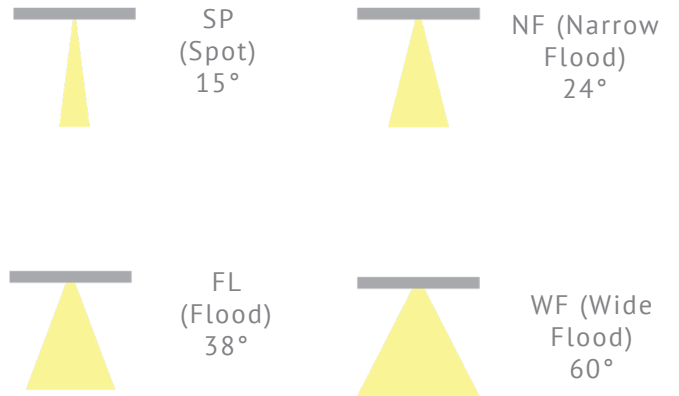
91A (Solite Lens)

Clear water white borosilicate glass with linen textured surface - adds 3 degrees to the beam spread. Used to soften beam and eliminate reflector artifacts. When used as an aperture lens it obscures the view into the fixture.

79A (Frosted Acrylic Lens)

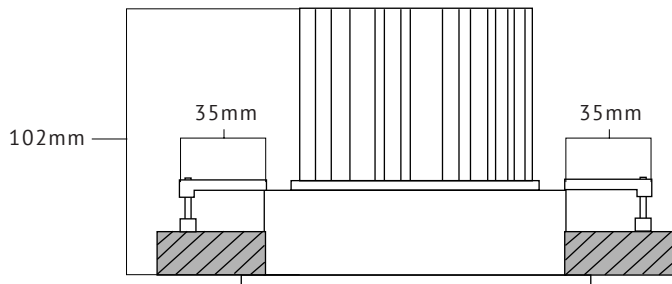
Clear acrylic lens with satin finish - adds 3 degrees to the beam spread. Used with LED sources to integrate the colour of the beam and obscures the view into the fixture.

Beam Options



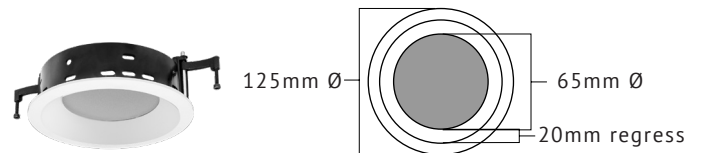
Dimensions

(F) Fixed

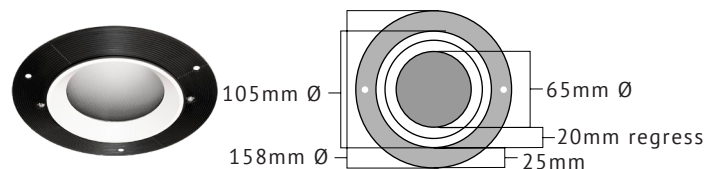


Trim Detail

FT/FST* (Flanged Trim/Flanged Shower Trim)

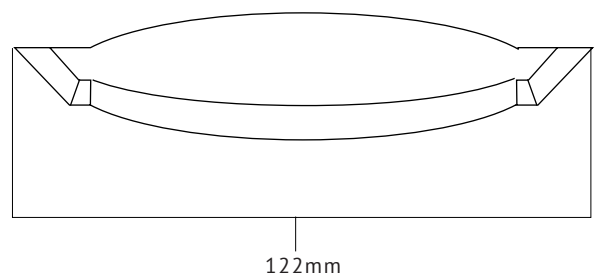
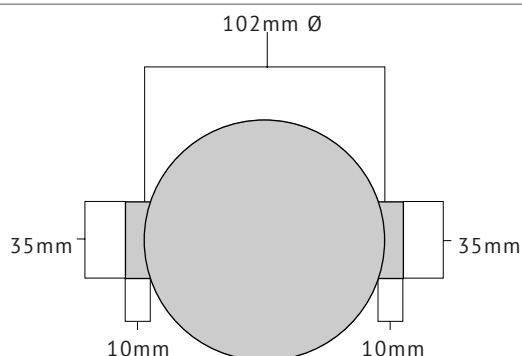


ZT/ZST* (Flangeless Trim/Flangeless Shower Trim)



* Lens Required

Cut Out Hole Guidelines



Input code here


GRO-Ri

Part	Order Codes	GRO-Ri
1	LED AD14 - Ambient Dim, 97CRI -14.5W, 61lm/W CZ20 - Citizen, 90+CRI - 20W, 71lm/W	----
2	TYPE F - Fixed	----
3	CCT AD - 1900-3000k 27 - 2700k (CZ20) 30 - 3000k (CZ20) 35 - 3500k (CZ20) 40 - 4000k (CZ20)	----
4	BEAM SP - Spot Beam NF - Narrow Beam FL - Flood Beam WF - Wide Beam	----
5	DRIVER DA - DALI Dimming down to 0.1% DAE - DALI Dimming down to 0.1%, Emergency ND - Switched, Non-Dimming NDE - Switched, Non-Dimming, Emergency	----
6	TRIM FT-IP20 - Flanged, IP20 FT-IP64 - Flanged, IP64 FST-IP65 - Flanged Shower, IP65 ZT-IP20 - Flangeless, IP20 ZST-IP64 - Flangeless Shower, IP64	----
7	TRIM COLOUR WHT - White, RAL 9016 BLK - Black, RAL 9003	----*
8	SHAPE RD - Round	----

* For custom RAL colour, please contact sales team.

Example Code:

GRO-Ri	—	AD14	—	F	—	30	—	NF	—	DA	—	ZT-IP20	—	WHT	—	RD
		1		2		3		4		5		6		7		8