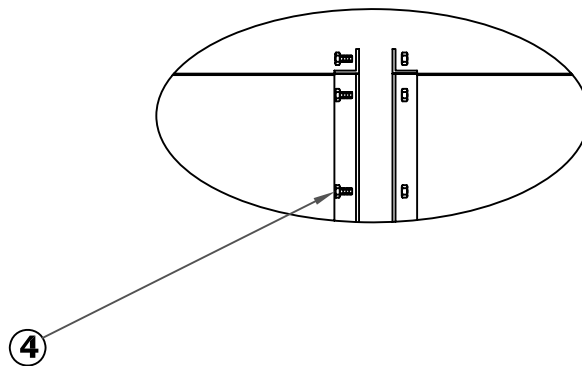
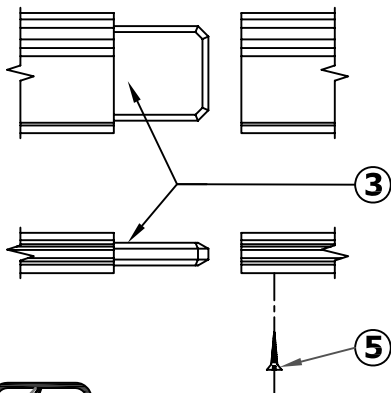
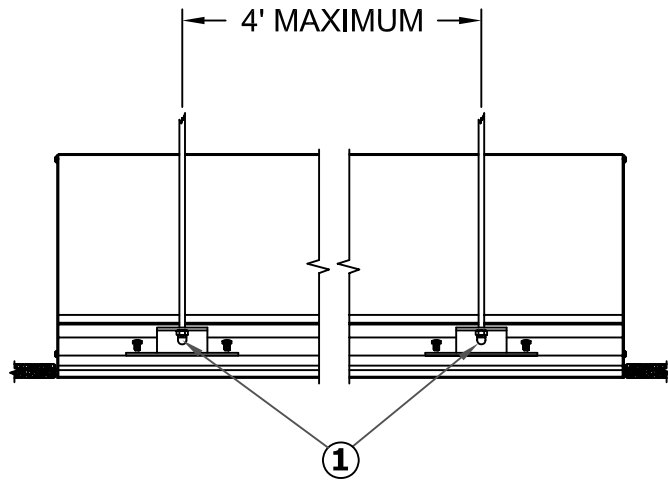
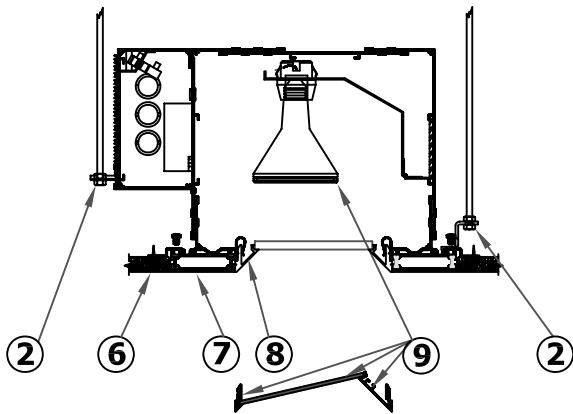


# 3000 SERIES PLASTER CEILING INSTALLATION

1. 1/4 20 threaded rod is suspended from structure. A minimum of four rods per fixture with additional rods as required to achieve a spacing of not more than 4'.
2. Move support brackets along the extrusion as required to receive the rods. Level the fixture with a nut below the bracket and lock the fixture in position with a nut above the bracket.
3. Mount adjacent housing section and slide delrin insert into mating section or ultrim.
4. Draw housings together by installing supplied bolts and nuts through the mounting brackets.
5. Drive a sheetrock screw through the bottom of the ultrim and up into the unsecured delrin coupling.
6. Install ceiling. Secure gypsum board to perforated metal flange on ultrim leaving 1/8" between gypsum board and ultrim
7. Apply tape over joint between gypsum board and ultrim. Finish with compound from ceiling to screed edge. Remove any excess compound from inside of screed edge.
8. Remove temporary bridges. Clean extra compound and residue from inside of trim.
9. Install lamps, Snap the trim into place and install the lay-in lens.



SPECIALTY LIGHTING  
INDUSTRIES, INC.

1306 DORIS AVENUE, OCEAN, NJ 07712 USA

800.462.7812

www.specialtylightingindustries.com  
732.517.0800 FAX 732.517.0971