

# 1500 MILLWORK CEILING FLANGED TRIM DETAIL

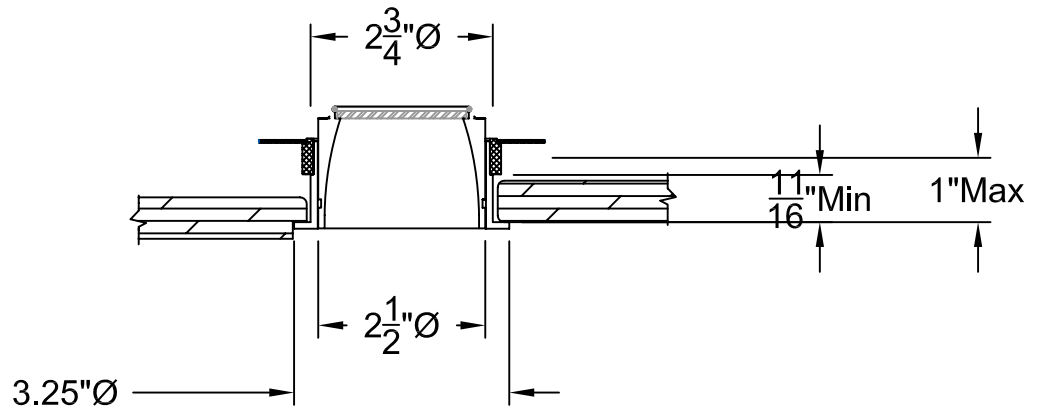
DATE: 08-22-07

FIXTURE IS SUPPLIED WITH ADJUSTABLE COLLAR TO COMPENSATE FOR VARIABLE CEILING THICKNESSES.

PROVIDE A HOLE AT THE CEILING TO ALLOW FOR INSERTION OF 2 3/4" DIAMETER TRIM. THIS WILL ACCOMODATE CEILING THICKNESSES UP TO 1".

FOR CEILINGS THAT ARE THICKER THAN 1" A CUSTOM COLLAR IS REQUIRED.

THE TRIM MAY ALSO BE REGRESSED UP TO 1/2" INTO THE CEILING IF DESIRED AS SHOWN ON THE LEFT SIDE OF THE DRAWING.



SPECIALTY LIGHTING  
INDUSTRIES, INC.

1306 DORIS AVENUE, OCEAN, NJ 07712 USA

800.462.7812

732.517.0800

DRAWN BY: SJH

[www. specialtylightingindustries.com](http://www.specialtylightingindustries.com)

FAX 732.517.0971