

# 1500 MILLWORK CEILING CUTOUT DETAIL

DATE: 08-17-07

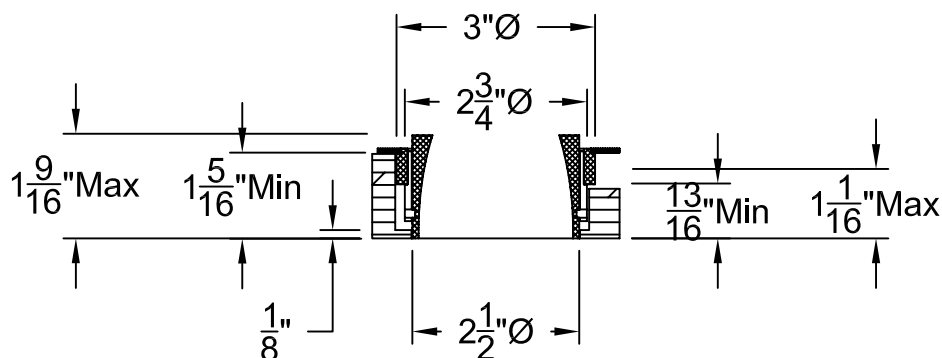
FIXTURE IS SUPPLIED WITH ADJUSTABLE COLLAR TO COMPENSATE FOR VARIABLE CEILING THICKNESSES.

PROVIDE A HOLE AT THE CEILING TO ALLOW FOR INSERTION OF 2 1/2" DIAMETER TRIM. HOLE MUST PROVIDE ENOUGH CLEARANCE TO ALLOW FOR EASY REMOVAL OF TRIM FOR RELAMPING. THE THICKNESS OF THE CEILING HOLE IS NOT TO EXCEED 1/8".

IF THE CEILING IS THICKER THAN 1/8" A LARGER HOLE MUST BE PROVIDED ABOVE THE 2 1/2" HOLE TO ALLOW FOR THE HOUSING COLLAR. THIS LARGER HOLE CAN BE 2 3/4" FOR CEILING THICKNESSES UP TO 1 1/16". (SHOWN ON THE RIGHT SIDE OF THE DRAWING.)

FOR CEILING THICKER THAN 1 1/16" BUT NOT MORE THAN 1 9/16" A 3" DIAMETER HOLE IS REQUIRED. (SHOWN ON THE LEFT SIDE OF THE DRAWING.)

FOR CEILINGS THAT ARE THICKER THAN 1 9/16" A CUSTOM COLLAR IS REQUIRED.



SPECIALTY LIGHTING  
INDUSTRIES, INC.

1306 DORIS AVENUE, OCEAN, NJ 07712 USA

800.462.7812

732.517.0800

DRAWN BY: SJH

[www.specialtylightingindustries.com](http://www.specialtylightingindustries.com)

FAX 732.517.0971