

TYPE: _____

JOB: _____

SPECIFICATIONS

HOUSING - Heavy gauge extruded aluminum (material of corrosion resistant alloy.) Welded aluminum end plate, no visible seam.

ELECTRICAL - MR-16, remote transformer required, sold separately. Maximum 74 watts per foot.

SOCKET - Precision die formed aluminum socket plate. G-4/G-6 with 250°C 600v Teflon coated lead wires.

MOUNTING - Surface, provide proper support.

LABELS - UL, C-UL -Dry Location.

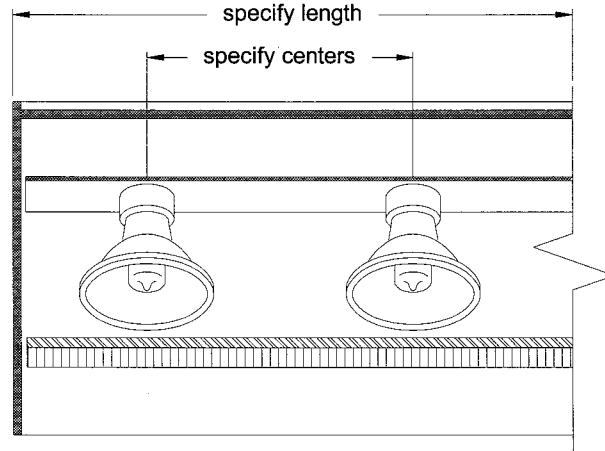
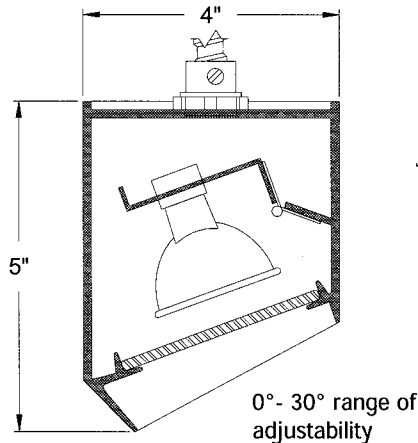
LAMP - MR-16, 12v (narrow spot recommended) - by others.

LENS - Supertex borosilicate glass. Others available consult factory.

FINISH - Powder paint on all surfaces. RAL colors standard, consult factory for custom finishes.

APPLICATIONS

Medium profile, surface mounted. Adjustable angle socket plate. Intended to highlight surface texture in brick, stone, stucco, tile, textured paint, fabric and wood panels.



ORDERING INFORMATION

FIXTURE	LAMP	LAMP CENTERS	LENGTH	FINISH
#820				
Surface mounted wall grazing system	20MR = 12v, 20w 37MR = 12v, 37w (maximum 74w per foot)	4 = 4" 8 = 8"	specify exact length	WHT = White BLK = Black XXXX = RAL # CST = Custom (must supply chip)



SPECIALTY LIGHTING INDUSTRIES, INC. ©2004

1306 DORIS AVENUE OCEAN, NJ 07712 800.462.7812 732.517.0800 FAX 732.517.0971 www.specialtylightingindustries.com

These specifications subject to change without notice.