

TYPE: _____

JOB: _____

SPECIFICATIONS

HOUSING - Precision die-formed, heavy gauge, c.r.s. Welded end plates, no visible seam.

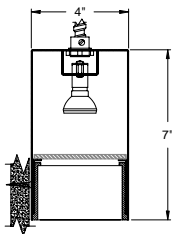
ELECTRICAL - ALR, remote transformer required, sold separately.

SOCKET - Precision die formed aluminum socket plate. Nickel plated steel, single contact, bayonet base with stainless steel spring for optimum contact, 250°C 125v 500w Teflon coated lead wires.

MOUNTING - Recessed, for installation in millwork ceiling.

APPLICATIONS

Large profile, recessed, designed to graze down walls and other flat surfaces by positioning the trim of the fixture housing near the surface to be illuminated.



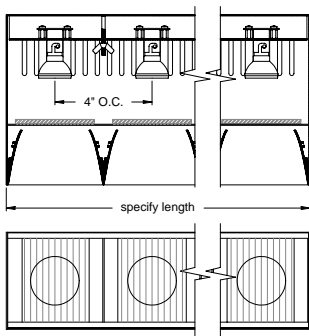
LABELS - UL, C-UL -Dry Location.

LAMP - ALR-12, 12v, 20w (narrow spot recommended) - by others.

LENS - Supertex borosilicate glass.

HOUSING FINISH - Black powder paint on all recessed surfaces.

BAFFLE FINISH - RAL colors standard, consult factory for custom finishes.



ORDERING INFORMATION

FIXTURE	LENGTH	BAFFLE FINISH
#811ALR WD		
Recessed linear wall grazing system	specify exact length	WHT = White BLK = Black XXXX = RAL # CST = Custom (must supply chip)



SPECIALTY LIGHTING
INDUSTRIES, INC.

www.specialtylightingindustries.com

1306 DORIS AVENUE, OCEAN, NJ 07712 USA

800.462.7812

732.517.0800

FAX 732.517.0971