

Multi-lamp, halogen, recessed linear wall washer with nominal 6" (150mm) wide aperture, adjustable socket plate, minimal flange and regressed borosilicate supertex spread lens

TYPE: \_\_\_\_\_

JOB: \_\_\_\_\_

SPECIFIER: \_\_\_\_\_

**SPECIFICATIONS**

**HOUSING** - Extruded aluminum housing with minimal flange

**MOUNTING** - Recessed in millwork

**ELECTRICAL** - Fixture comes with terminal block for connection to remote transformer. Transformer should be sized for the run length and ordered separately

**LAMP** - PAR20 35w max supplied by others.

**LABELS** - UL, C-UL, Damp location

**SOCKET** - Precision die-formed adjustable aluminum socket plate. Medium base 4 Kv pulse rated porcelain socket with high temperature, teflon coated lead wires

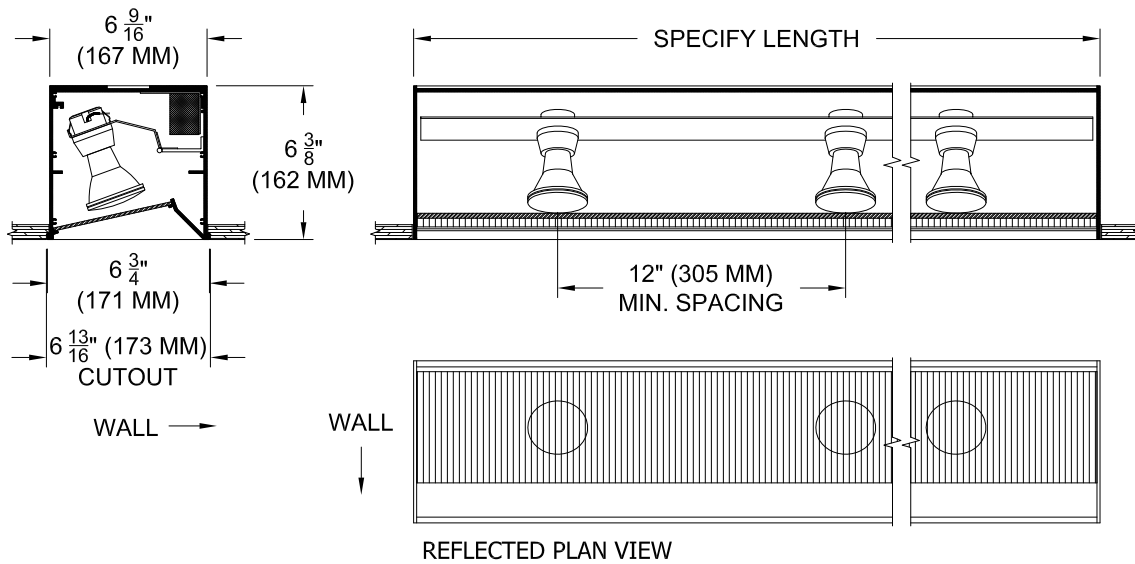
**LENS** - Supertex borosilicate glass. Others available consult factory

**TRIM** - Lens frame integral to housing

**FINISH** - Powder paint on all surfaces in black and white as standard. Additional colors and RAL palette available. Consult factory for custom finishes

**APPLICATIONS**

Medium aperture wall washer used in ceiling heights up to 16 feet (5m) to smoothly wash vertical surfaces and minimize surface texture



**ORDERING INFORMATION**

HOUSING	LENGTH	LAMP SPACING	BALLAST	FINISH	LENS
<b>807-PAR20MH-WH</b>			/		
Wood Housing	Specify exact length	12 = 12" (300mm) 14 = 14" (350mm) or custom spacing	20 = 20 watts 39 = 39 watts	120 220 240 277	WHT = White BLK = Black PXX = SLI Color XXXX = RAL Color CST = Custom
					82A = Frosted Supertex 92A = Supertex

This information is provided as a specification aid. A submittal will be prepared by the manufacturer for approval prior to fabricating this product.



**SPECIALTY LIGHTING INDUSTRIES, INC.**

NOTE: These specifications subject to change without notice.

[www.specialtylightingindustries.com](http://www.specialtylightingindustries.com)

1306 DORIS AVENUE, OCEAN, NJ 07712 USA 800.462.7812 732.517.0800 FAX 732.517.0971 © 07/11