

Multi-lamp, metal halide, surface mounted linear wall washer with nominal 4" wide aperture, adjustable socket plate and borosilicate supertex spread lens.

TYPE: _____
 JOB: _____
 SPECIFIER: _____

SPECIFICATIONS

HOUSING - Extruded aluminum with seamless welded and ground end plates.

MOUNTING - Surface mounted

ELECTRICAL - Fixture comes with 10' whip of 12 Ga. wire for connection to junction box. Integral electronic ballast 120v input, (220v, 240v, 277v available).

LAMP - PAR20 35w supplied by others.

LABELS - UL, C-UL

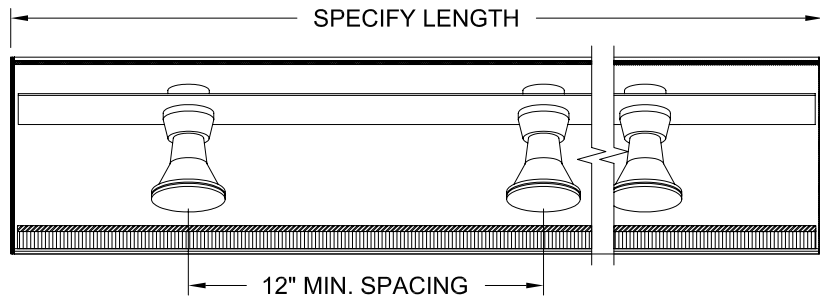
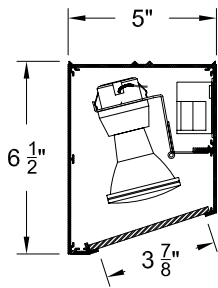
SOCKET - Precision die formed adjustable aluminum socket plate. Medium base 4 Kv pulse rated porcelain socket with high temperature, teflon coated lead wires.

LENS - Supertex borosilicate glass. Others available consult factory.

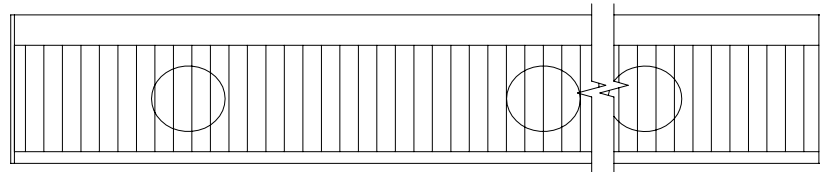
FINISH - Powder paint on all surfaces available in black white or RAL colors as standard. Consult factory for custom finishes.

APPLICATIONS

Large profile wall washer used in ceiling heights up to 16 feet to smoothly wash vertical surfaces and minimize surface texture.



SECTION



REFLECTED PLAN VIEW

ORDERING INFORMATION

HOUSING	LAMP SPACING	LENGTH	BALLAST	FINISH	LENS
806-PAR20MH-SH			WATTS/VOLTS		
Surface housing 12 = 12" 14 = 14"	12 = 12" 14 = 14"	Specify exact length	20/120 39/120 20/220 39/220 20/240 39/240 20/277 39/277	WHT = White BLK = Black XXXX = RAL # CST = Custom (supply chip)	91A = Solite 92A = Supertex 93A = Sandblasted 95A = Full Prismatic

This information is provided as a specification aid. A submittal will be prepared by the manufacturer for approval prior to fabricating this product.



SPECIALTY LIGHTING INDUSTRIES, INC.

NOTE: These specifications subject to change without notice.

www.specialtylightingindustries.com

1306 DORIS AVENUE, OCEAN, NJ 07712 USA 800.462.7812 732.517.0800 FAX 732.517.0971 © 07/07