

Multi-lamp, halogen, surface mounted linear wall washer with nominal 4" (100mm) wide aperture, adjustable socket plate and borosilicate supertex spread lens

TYPE: _____

JOB: _____

SPECIFIER: _____

SPECIFICATIONS

HOUSING - Extruded aluminum with seamless welded and ground end plates

SOCKET - Precision die-formed adjustable aluminum socket plate. Medium base porcelain socket with high temperature, teflon coated lead wires

MOUNTING - Surface mounted

ELECTRICAL - Fixture comes with 10' whip of 12 Ga. wire for connection to junction box

LENS - Supertex borosilicate glass. Others available consult factory

TRIM - Lens frame integral to housing. Optional Baffle

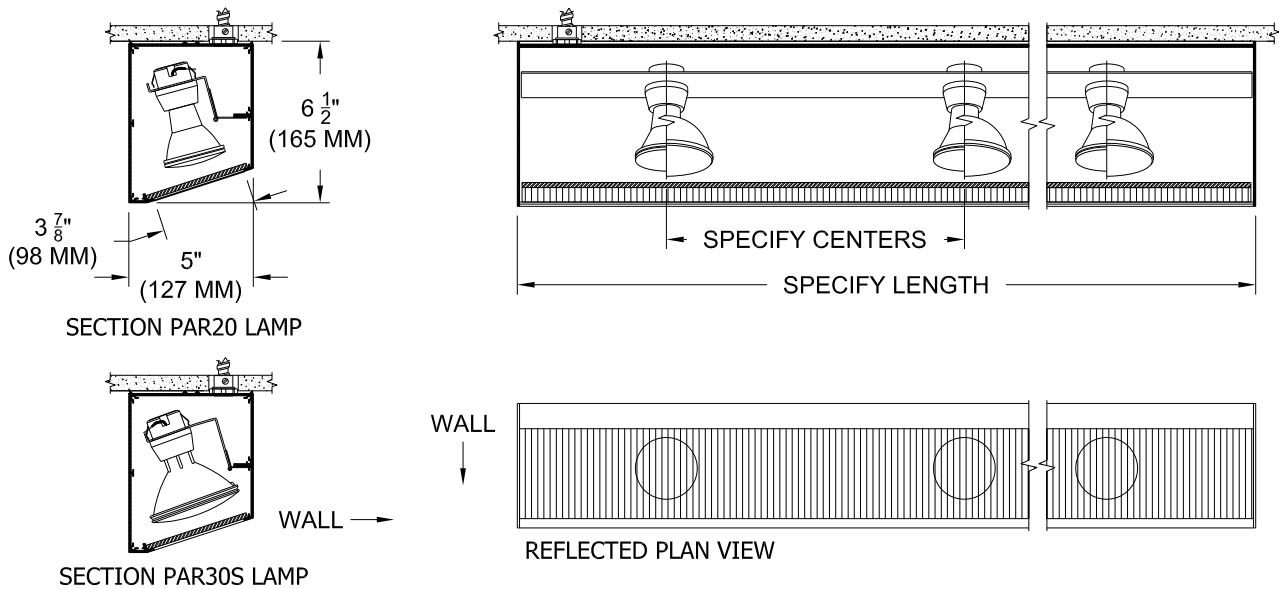
LAMP - PAR20 50w max PAR30S (short neck) 75w max supplied by others

FINISH - Powder paint on all surfaces in black and white as standard. Additional colors and RAL palette available. Consult factory for custom finishes

LABELS - UL, C-UL, Damp location

APPLICATIONS

Large profile wall washer used in ceiling heights up to 16 feet (5m) to smoothly wash vertical surfaces and minimize surface texture



ORDERING INFORMATION

HOUSING	LENGTH	LAMP SPACING	FINISH	APERTURE LENS	BAFFLE
806-PAR__-SH					
Surface Housing 20 = PAR20 30 = PAR30	Specify exact length	6 = 6" (150mm) 9 = 9" (225mm) 12 = 12" (300mm) or custom spacing	WHT = White BLK = Black PXX = SLI Color XXXX = RAL # CST = Custom	82A = Frosted Supertex 92A = Supertex	Blank = None BFL = Baffle

This information is provided as a specification aid. A submittal will be prepared by the manufacturer for approval prior to fabricating this product.



SPECIALTY LIGHTING INDUSTRIES, INC.

NOTE: These specifications subject to change without notice.

www.specialtylightingindustries.com

1306 DORIS AVENUE, OCEAN, NJ 07712 USA 800.462.7812 732.517.0800 FAX 732.517.0971 © 07/11