

SPECIFICATIONS

HOUSING - Heavy gauge extruded aluminum (material of corrosion resistant alloy.) Aluminum end plate.

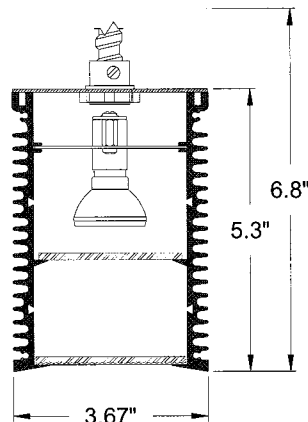
ELECTRICAL - ALR, remote transformer required, sold separately.

SOCKET - Precision die formed aluminum socket plate. Nickel plated steel, single contact, bayonet base with stainless steel spring for optimum contact, 250°C 125v 500v Teflon coated lead wires.

MOUNTING - Recessed or surface mounted.

APPLICATIONS

Medium profile, double lensed, recessed in plenum or surface mounted. Intended to highlight surface texture in brick, stone, stucco, tile, textured paint, fabric and wood panels.

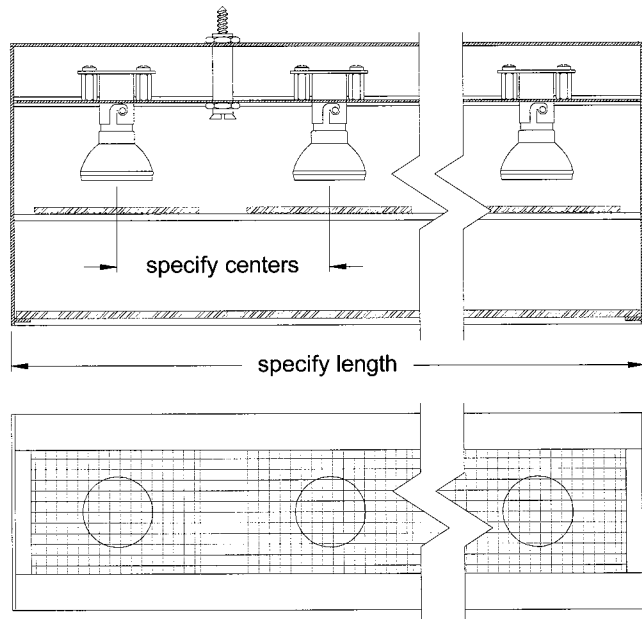


LABELS - UL, C-UL -Dry Location.

LAMP - ALR-12, 12v, 20w (narrow spot recommended) - by others.

LENS - Supertex borosilicate glass. Others available consult factory.

FINISH - Black anodized housing. Integral trim, field paintable.



ORDERING INFORMATION

FIXTURE	LAMP SPACING	LENGTH
#803ALR		
Recessed or surface mounted linear wall grazing system	4 = 4" 6 = 6" 8 = 8"	specify exact length



SPECIALTY LIGHTING INDUSTRIES, INC. ©2004

1306 DORIS AVENUE OCEAN, NJ 07712 800.462.7812 732.517.0800 FAX 732.517.0971 www.specialtylightingindustries.com

These specifications subject to change without notice.

TYPE: _____

JOB: _____
