

SPECIFICATIONS

HOUSING - Heavy gauge extruded aluminum (material of corrosion resistant alloy.) Aluminum end plate.

ELECTRICAL - MR-16, remote transformer required, sold separately. Maximum 74 watts per foot.

SOCKET - Precision die formed aluminum socket plate. G-4/G-6 with 250°C 600v Teflon coated lead wires.

MOUNTING - Recessed or surface.

TYPE: _____
 JOB: _____

LABELS - UL, C-UL -Dry Location.

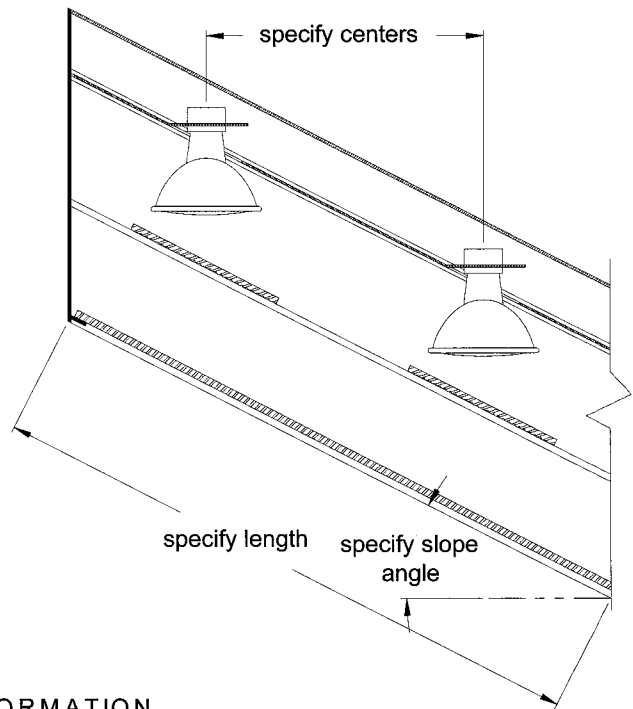
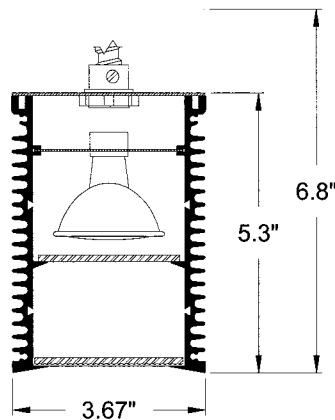
LAMP - MR-16, 12v (narrow spot recommended) - by others.

LENS - Supertex borosilicate glass. Others available consult factory.

FINISH - Black anodized housing. Integral trim, field paintable.

APPLICATIONS

Medium profile, double lensed, recessed in plenum or surface mounted. Intended to highlight surface texture in brick, stone, stucco, tile, textured paint, fabric and wood panels. Custom sloped for vaulted ceilings, staircases, or any sloped ceiling.



ORDERING INFORMATION

FIXTURE	LAMP	LAMP SPACING	LENGTH
#803 SLOPED			
Recessed or surface mounted linear wall grazing system	20MR-16 = 12v, 20w 37MR-16 = 12v, 37w (maximum 74w per foot)	4 = 4" 6 = 6" 8 = 8"	specify exact length



SPECIALTY LIGHTING INDUSTRIES, INC. ©2004

1306 DORIS AVENUE OCEAN, NJ 07712 800.462.7812 732.517.0800 FAX 732.517.0971 www.specialtylightingindustries.com

These specifications subject to change without notice.