

SPECIFICATIONS

**HOUSING** - Heavy gauge extruded aluminum (material of corrosion resistant alloy.) Aluminum end plate.

**ELECTRICAL** - MR-16, remote transformer required, sold separately.

**SOCKET** - Precision die formed aluminum socket plate. G-4/G-6 with 250°C 600v Teflon coated lead wires.

**MOUNTING** - Recessed in floor.

TYPE: \_\_\_\_\_

JOB: \_\_\_\_\_

**LABELS** - UL, C-UL -Dry Location.

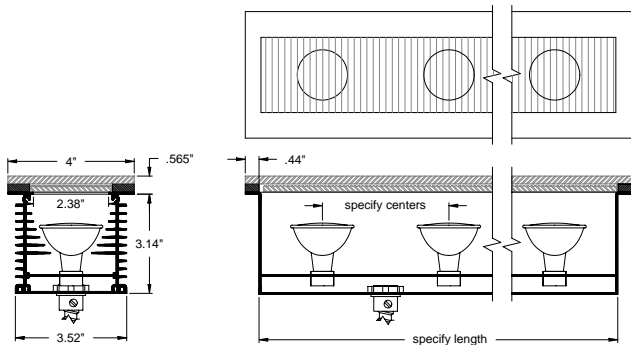
**LAMP** - MR-16, 12v (narrow spot recommended) - by others.

**LENS** - Supertex borosilicate glass and 3/8" clear Pyrex protective cover. Others available consult factory.

**FINISH** - Black anodized housing.

APPLICATIONS

Miniature profile, recessed in floor, intended to highlight surface texture in brick, stone, stucco, tile, textured paint, fabric and wood panels.



ORDERING INFORMATION

FIXTURE	LAMP	SOCKET SPACING	LENGTH
#802UP			
Recessed in floor linear wall grazing system uplight	20MR-16 = 12v, 20w 37MR-16 = 12v, 37w (maximum 74w per foot)	4 = 4" 6 = 6" 8 = 8"	specify exact length



SPECIALTY LIGHTING  
INDUSTRIES, INC.

www.specialtylightingindustries.com

1306 DORIS AVENUE, OCEAN, NJ 07712 USA

800.462.7812 732.517.0800 FAX 732.517.0971