

Multi-lamp, solid state light engine, recessed linear wall grazer with flanged housing, nominal 1.5" wide aperture and acrylic lens.

TYPE: _____

JOB: _____

SPECIFIER: _____

SPECIFICATIONS

HOUSING - Extruded aluminum housing with integral flange.

SOCKET - Circuit board mounted to extruded aluminum heatsink. Inline connectors allow removal and replacement.

MOUNTING - Recessed in architectural ceiling.

LENS - Acrylic diffusing lens Others available consult factory.

ELECTRICAL - Integral electronic 12v, 500ma 0-10v dimmable driver. Remote 12VAC transformer should be sized for the run length and ordered separately.

TRIM - Extruded aluminum overlap flange.

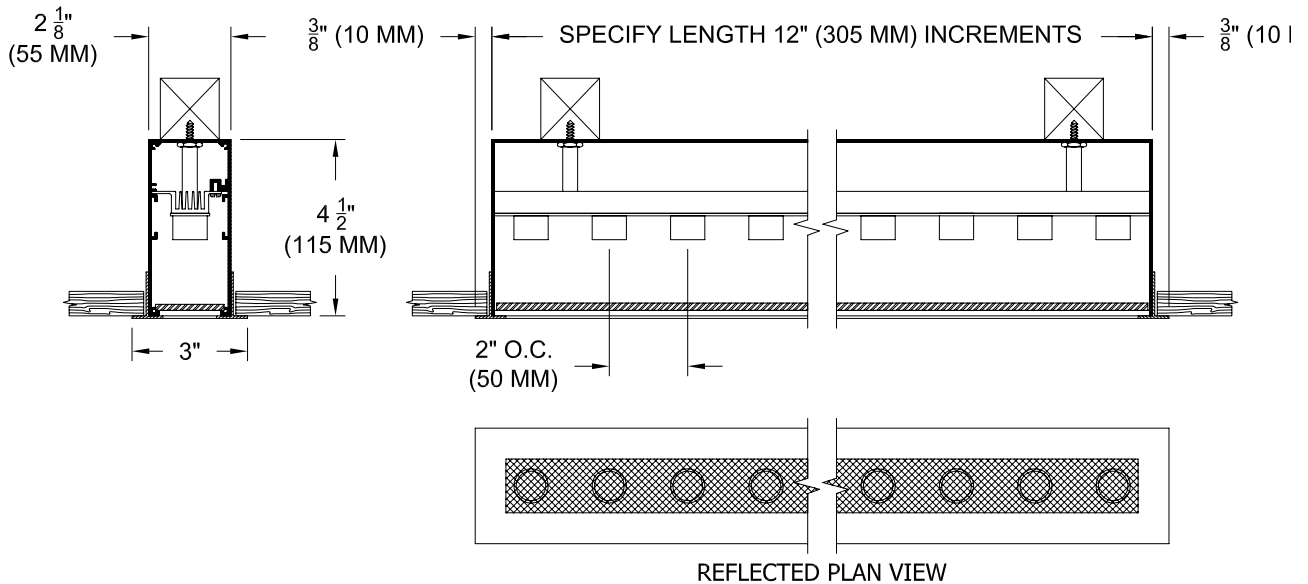
LAMP - 2 watt 3000K LED 2" o.c. supplied with fixture.

FINISH - Powder paint on all surfaces in black and white as standard. Additional colors and RAL palette available. Consult factory for custom finishes.

LABELS - UL, CUL, Damp location Listings pending

APPLICATIONS

Narrow profile wall grazer used in low ceiling heights to highlight the texture in surfaces such as stucco or brick, illuminate flat surfaces such as venetian plaster, fabric or wood, or specular surfaces such as polished stone or stainless steel.



ORDERING INFORMATION

HOUSING	TRANSFORMER	LENGTH	FINISH	APERTURE LENS
801-LED-FH				
Flanged Housing	RX = Remote	Specify length to nearest foot	WHT = White BLK = Black PXX = SLI Color XXXX = RAL # CST = Custom	79A = Veiling Acrylic 91A = Solite

This information is provided as a specification aid. A submittal will be prepared by the manufacturer for approval prior to fabricating this product.



SPECIALTY LIGHTING INDUSTRIES, INC.

NOTE: These specifications subject to change without notice.

www.specialtylightingindustries.com

1306 DORIS AVENUE, OCEAN, NJ 07712 USA 800.462.7812 732.517.0800 FAX 732.517.0971 © 03/09