

Multi-lamp, solid state light engine surface mounted linear wall grazer. Nominal 2" wide aperture and acrylic lens.

TYPE: _____

JOB: _____

SPECIFIER: _____

SPECIFICATIONS

HOUSING - Extruded aluminum with seamless welded and ground end plates.

SOCKET - Circuit board mounted to extruded aluminum heatsink. Inline connectors allow removal and replacement.

MOUNTING - Surface mounted

LENS - Acrylic diffusing lens Others available consult factory.

ELECTRICAL - Integral electronic 12v, 500ma 0-10v dimmable driver. Remote 12VAC transformer should be sized for the run length and ordered separately.

TRIM - Lens frame integral to housing.

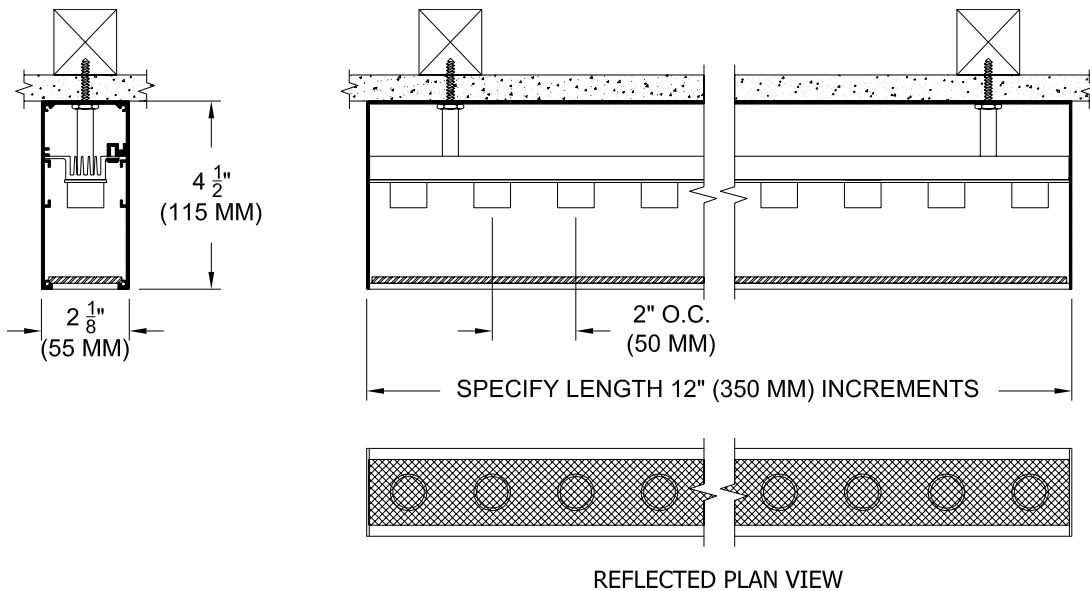
LAMP - 2 watt 3000K LED 2" o.c. supplied with fixture.

FINISH - Powder paint on all surfaces in black and white as standard. Additional colors and RAL palette available. Consult factory for custom finishes.

LABELS - UL, CUL, Damp location Listings pending

APPLICATIONS

Narrow profile wall grazer used in low ceiling heights to highlight the texture in surfaces such as stucco or brick, illuminate flat surfaces such as venetian plaster, fabric or wood, or specular surfaces such as polished stone or stainless steel.



ORDERING INFORMATION

| HOUSING | TRANSFORMER | LENGTH | FINISH | APERTURE LENS |
|-------------------|--------------------|--------------------------------|--|---|
| 800-LED-SH | | | | |
| Surface Housing | RX = Remote | Specify length to nearest foot | WHT = White BLK = Black PXX = SLI Color XXXX = RAL # CST = Custom | 79A = Veiling Acrylic 91A = Solite |

This information is provided as a specification aid. A submittal will be prepared by the manufacturer for approval prior to fabricating this product.



SPECIALTY LIGHTING INDUSTRIES, INC.

NOTE: These specifications subject to change without notice.

www.specialtylightingindustries.com

1306 DORIS AVENUE, OCEAN, NJ 07712 USA 800.462.7812 732.517.0800 FAX 732.517.0971 © 03/09