

Multi-lamp, low voltage halogen, recessed linear wall washer with nominal 5" (120mm) wide aperture, adjustable socket plate, flangeless trim and borosilicate supertex spread lens.

TYPE: _____

JOB: _____

SPECIFIER: _____

SPECIFICATIONS

HOUSING - Extruded aluminum housing with utrim plaster frame.

MOUNTING - Recessed in sheetrock ceiling.

ELECTRICAL - Fixture comes with 10' whip of 10 Ga. wire for connection to junction box or remote transformer. Transformer should be sized for the run length and ordered separately.

LAMP - MR-11 (FSS) narrow spot 20w max. supplied by others.

LABELS - UL, C-UL, Damp location

SOCKET - Precision die-formed aluminum socket plate. G4/G6 ceramic socket with high temperature, teflon coated lead wires.

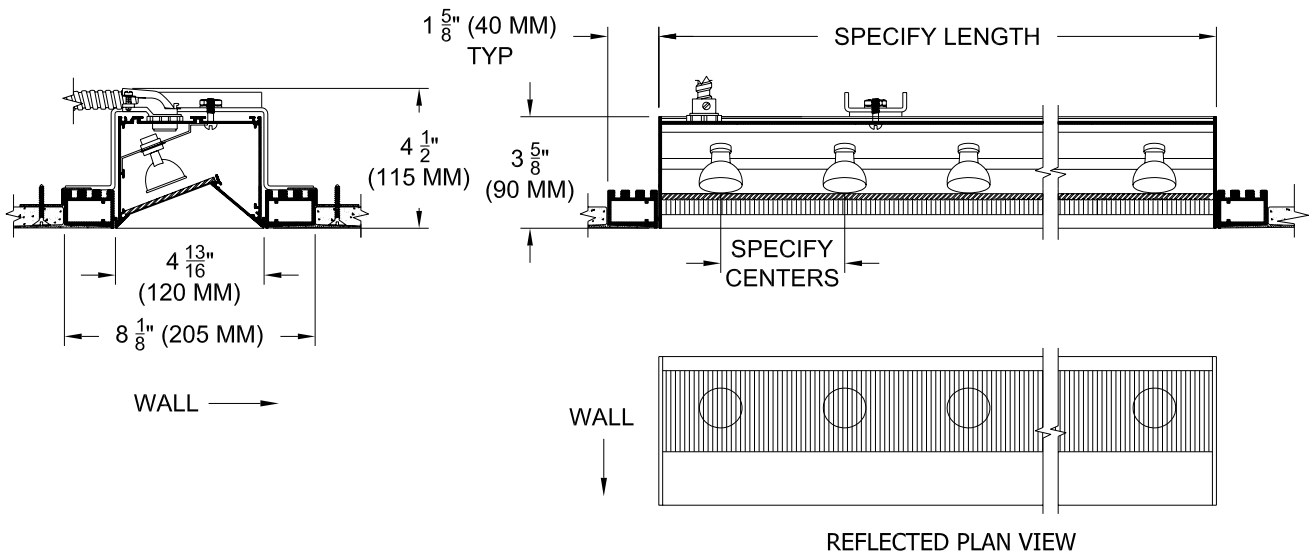
LENS - Supertex borosilicate glass. Others available consult factory.

TRIM - Regress trim integral to housing.

FINISH - Powder paint on all surfaces in black and white as standard. Additional colors and RAL palette available. Consult factory for custom finishes.

APPLICATIONS

Small profile wall washer used in ceiling heights up to 16 feet to smoothly wash vertical surfaces and minimize surface texture.



ORDERING INFORMATION

HOUSING	LAMP CENTERS	LENGTH	FINISH	APERTURE LENS
613-MR-PH				
Plaster Flange Housing	4 = 4" 100mm 6 = 6" 150mm 8 = 8" 200mm	Specify exact length.	P14 = White BLK = Black PXX = SLI Color XXXX = RAL # CST = Custom	82A = Frosted Supertex 92A = Supertex

This information is provided as a specification aid. A submittal will be prepared by the manufacturer for approval prior to fabricating this product.



SPECIALTY LIGHTING INDUSTRIES, INC.

NOTE: These specifications subject to change without notice.

www.specialtylightingindustries.com

1306 DORIS AVENUE, OCEAN, NJ 07712 USA 800.462.7812 732.517.0800 FAX 732.517.0971 © 09/09