

Single lamp, metal halide recessed 2" aperture down light. Four aperture styles, Flood with low brightness parabolic reflector, Spot with 1" regressed opening, Pinhole with 1" flush opening or Glass with decorative glass cylinder.

TYPE: \_\_\_\_\_

JOB: \_\_\_\_\_

SPECIFIER: \_\_\_\_\_

**SPECIFICATIONS**

**HOUSING** - Precision die-formed heavy gauge aluminum with machined adjustable ceiling collar. Airtight construction suitable for direct contact with insulation.

**MOUNTING** - Recessed in architectural ceiling.

**ELECTRICAL** - Integral electronic ballast. 120v primary lead, (220v, 240v, 277v available).

**LAMP** - MR-16, 20w or 39w supplied by others.

**LABELS** - CUSA, CSA, Damp location

**SOCKET** - CNC machined lampholder assembly. G4/G6 ceramic socket with high temperature, teflon coated lead wires.

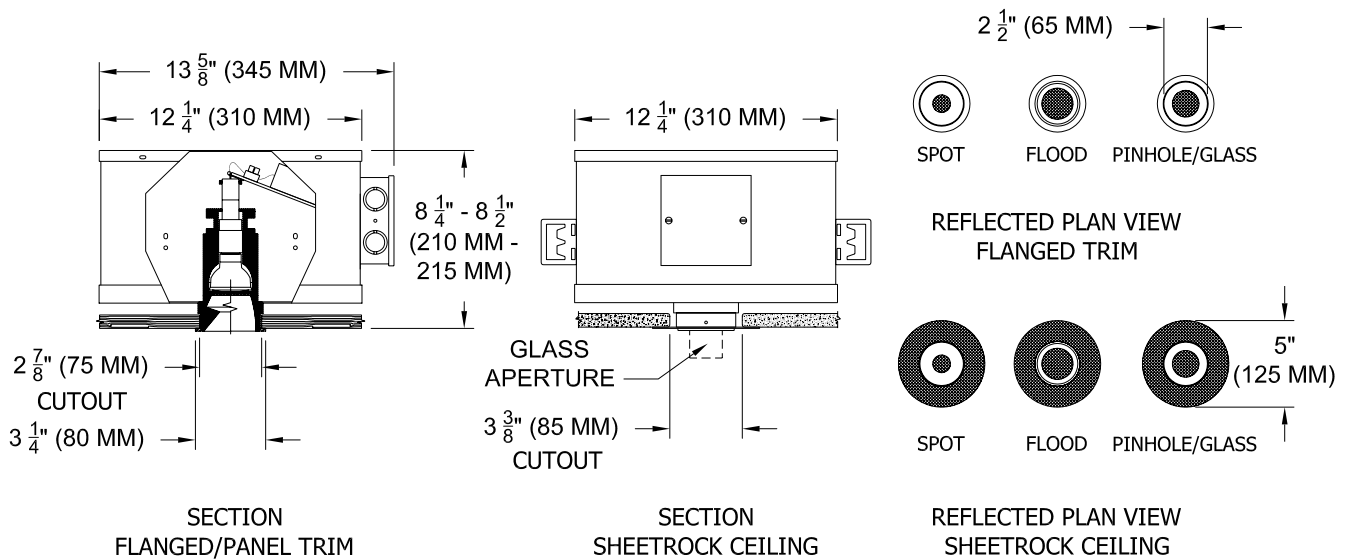
**LENS** - Clear borosilicate aperture lens. Optional spread lenses available.

**TRIM** - CNC machined spot cone, spun anodized aluminum flood cone or decorative glass cylinder.

**FINISH** - Black powder paint housing. Aperture trim in clear and gold alzak, black or white. Additional colors and RAL palette available. Consult factory for custom finishes.

**APPLICATIONS**

General downlighting in medium to tall ceiling heights typically found in residential, commercial and retail applications. Suitable for new construction.



**ORDERING INFORMATION**

HOUSING	TRIM	APERTURE	BALLAST	TRIM FINISH	APERTURE LENS
4500-MR16MH-AUH			WATTS/VOLTS		
Airtight Universal Housing	<b>FT</b> = Flanged Trim <b>PT</b> = Panel Trim <b>ZT</b> = Zero Trim	<b>FA</b> = Flood <b>GA</b> = Glass <b>PA</b> = Pinhole <b>SA</b> = Spot	20/120 39/120 20/220 39/220 20/240 39/240 20/277 39/277	<b>CAA</b> = Clear (FA) <b>GAA</b> = Gold (FA) <b>P14</b> = White <b>BLK</b> = Black <b>PXX</b> = SLI Color <b>XXXX</b> = RAL # <b>CST</b> = Custom	<b>90L</b> = Clear <b>91L</b> = Solite <b>92L</b> = Supertex <b>95L</b> = Full Prismatic



**SPECIALTY LIGHTING INDUSTRIES, INC.**

NOTE: These specifications subject to change without notice.

[www.specialtylightingindustries.com](http://www.specialtylightingindustries.com)

1306 DORIS AVENUE, OCEAN, NJ 07712 USA 800.462.7812 732.517.0800 FAX 732.517.0971 © 05/09