

Single lamp, low-voltage halogen, recessed 2" aperture down light. Four aperture styles, Flood with low brightness parabolic reflector, Spot with 1" regressed opening, Pinhole with 1" flush opening or Glass with decorative glass cylinder.

TYPE: _____

JOB: _____

SPECIFIER: _____

SPECIFICATIONS

HOUSING - Precision die-formed heavy gauge aluminum with machined adjustable ceiling collar. Airtight construction suitable for direct contact with insulation.

MOUNTING - Recessed in insulated architectural ceiling.

ELECTRICAL - Integral dimmable electronic transformer. 120v primary lead, (220v, 240v, 277v available), 11.75v secondary with overload protection.

LAMP - MR-16, 50w max. supplied by others.

LABELS - CSA-C,US, Damp location

SOCKET - CNC machined lampholder assembly. G4/G6 ceramic socket with high temperature, teflon coated lead wires.

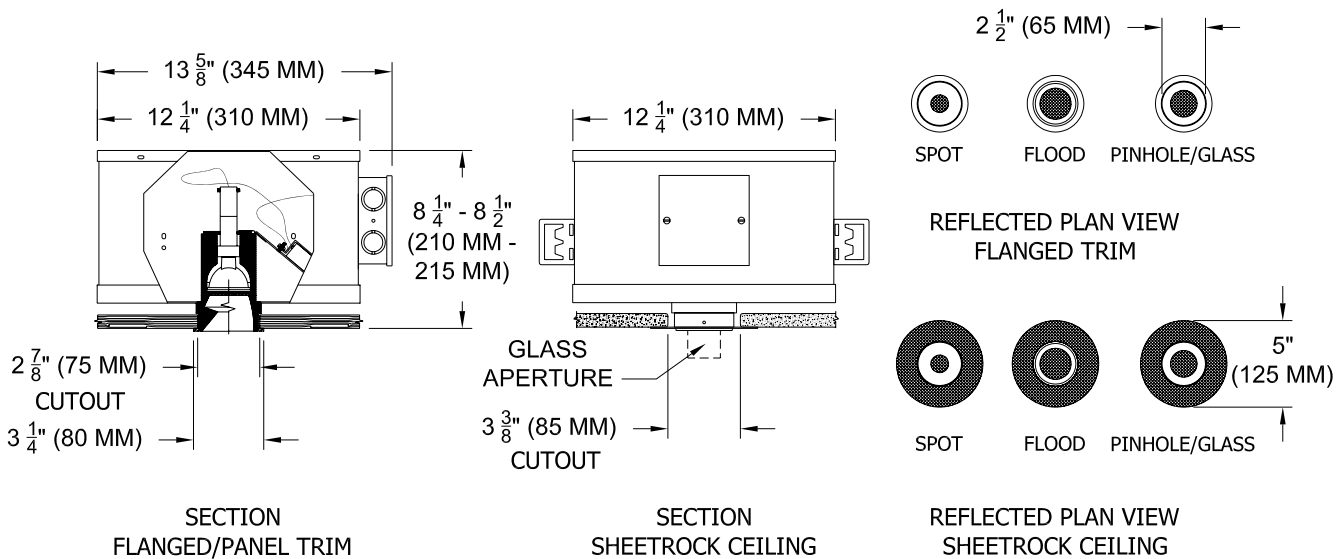
LENS - Clear borosilicate aperture lens. Optional spread lenses available.

TRIM - CNC machined spot cone, spun anodized aluminum flood cone or decorative glass cylinder.

FINISH - Black powder paint housing. Aperture trim in clear and gold alzak, black or white. Additional colors and RAL palette available. Consult factory for custom finishes.

APPLICATIONS

General downlighting in low to medium ceiling heights typically found in residential, commercial and retail applications. Suitable for new construction.



ORDERING INFORMATION

HOUSING	TRIM	APERTURE	TRANSFORMER	TRIM FINISH	APERTURE LENS
4500-MR16-AUH					
Airtight Universal Housing	FT = Flanged Trim PT = Panel Trim ZT = Zero Trim	FA = Flood GA = Glass PA = Pinhole SA = Spot	EX = Integral Electronic RX = Remote Magnetic	CAA = Clear (FA) GAA = Gold (FA) P14 = White BLK = Black PXX = SLI Color XXXX = RAL # CST = Custom	90L = Clear 91L = Solite 92L = Supertex 95L = Full Prismatic



SPECIALTY LIGHTING INDUSTRIES, INC.

NOTE: These specifications subject to change without notice.

www.specialtylightingindustries.com

1306 DORIS AVENUE, OCEAN, NJ 07712 USA 800.462.7812 732.517.0800 FAX 732.517.0971 © 11/09