

Single lamp, solid state light engine, recessed 2" aperture down light. Four aperture styles, Flood with low brightness parabolic reflector, Spot with 1" regressed opening, Pinhole with 1.5" flush opening or Glass with decorative glass cylinder.

TYPE: \_\_\_\_\_

JOB: \_\_\_\_\_

SPECIFIER: \_\_\_\_\_

**SPECIFICATIONS**

**HOUSING** - Precision die-formed heavy gauge aluminum with machined adjustable ceiling collar. Airtight construction suitable for direct contact with insulation.

**MOUNTING** - Recessed in architectural ceiling.

**ELECTRICAL** - Integral electronic driver with internal short circuit protection. 120v primary, 0-10v dimmable driver available.

**LAMP** - 10 watt LED array supplied with fixture.

**LABELS** - CSA-C,US, Damp location

**SOCKET** - CNC machined lampholder assembly.

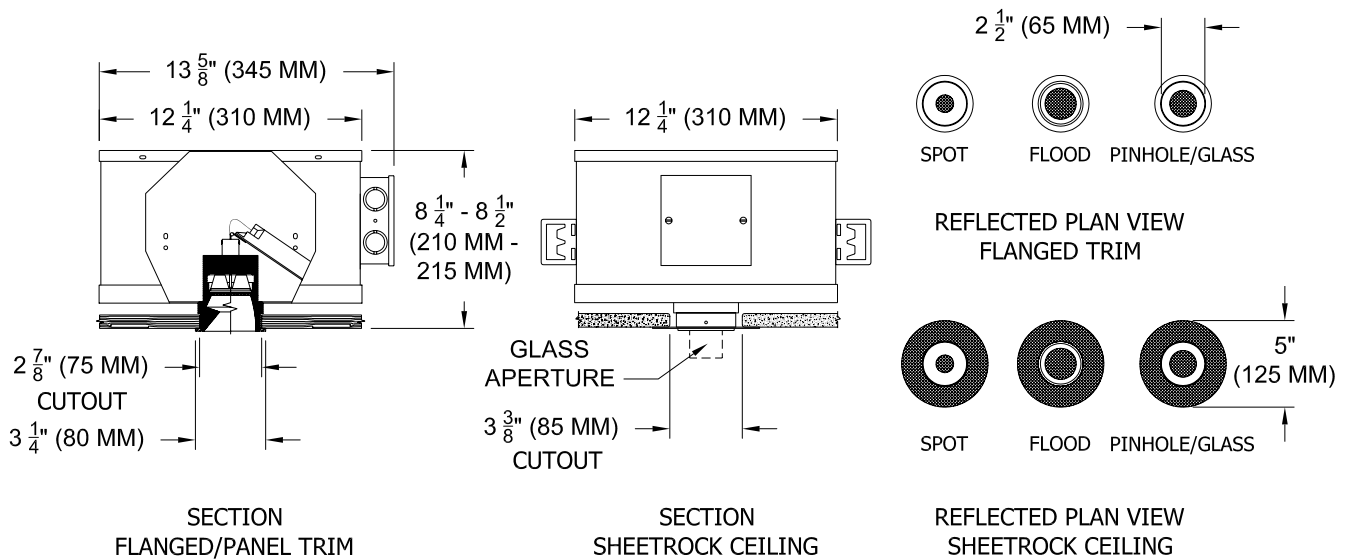
**LENS** - Clear borosilicate aperture lens. Optional spread lenses available.

**TRIM** - CNC machined spot cone, spun anodized aluminum flood cone or decorative glass cylinder.

**FINISH** - Black powder paint housing. Aperture trim in clear and gold alzak, black or white. Additional colors and RAL palette available. Consult factory for custom finishes.

**APPLICATIONS**

General downlighting in low to medium ceiling heights typically found in residential, commercial and retail applications. Suitable for new construction.



**ORDERING INFORMATION**

HOUSING	TRIM	APERTURE	VOLTAGE	TRIM FINISH	APERTURE LENS
<b>4500-LED-AUH</b>					
Airtight Universal Housing	<b>FT</b> = Flanged Trim <b>PT</b> = Panel Trim <b>ZT</b> = Zero Trim	<b>FA</b> = Flood <b>GA</b> = Glass <b>PA</b> = Pinhole <b>SA</b> = Spot	<b>120</b> <b>120DM</b> = Dimming	<b>CAA</b> = Clear (FA) <b>GAA</b> = Gold (FA) <b>P14</b> = White <b>BLK</b> = Black <b>PXX</b> = SLI Color <b>XXXX</b> = RAL # <b>CST</b> = Custom	<b>90L</b> = 10 Degree <b>91L</b> = 25 Degree <b>92L</b> = 10x55 Degree <b>95L</b> = 50 Degree



**SPECIALTY LIGHTING INDUSTRIES, INC.**

NOTE: These specifications subject to change without notice.

[www.specialtylightingindustries.com](http://www.specialtylightingindustries.com)

1306 DORIS AVENUE, OCEAN, NJ 07712 USA 800.462.7812 732.517.0800 FAX 732.517.0971 © 09/09