

Single lamp, low-voltage halogen, recessed downlight with nominal 2" square aperture and optional glass diffuser.

TYPE: \_\_\_\_\_

JOB: \_\_\_\_\_

SPECIFIER: \_\_\_\_\_

**SPECIFICATIONS**

**HOUSING** - Precision die-formed heavy gauge aluminum with adjustable mounting bracket.

**SOCKET** - G4/G6 ceramic socket with high temperature, teflon coated lead wires.

**MOUNTING** - Recessed in architectural ceiling.

**ELECTRICAL** - Integral dimmable electronic transformer. 120v primary lead, (220v, 240v, 277v available), 11.75v secondary with overload protection. External thermoprotector. Remote magnetic transformer available.

**LENS** - Clear pyrex safety lens. Optional borosilicate lenses available for lampholder and aperture.

**TRIM** - Flanged or flangeless, one piece die-cast aluminum square with 2" aperture. ST trim fully sealed and gasketed.

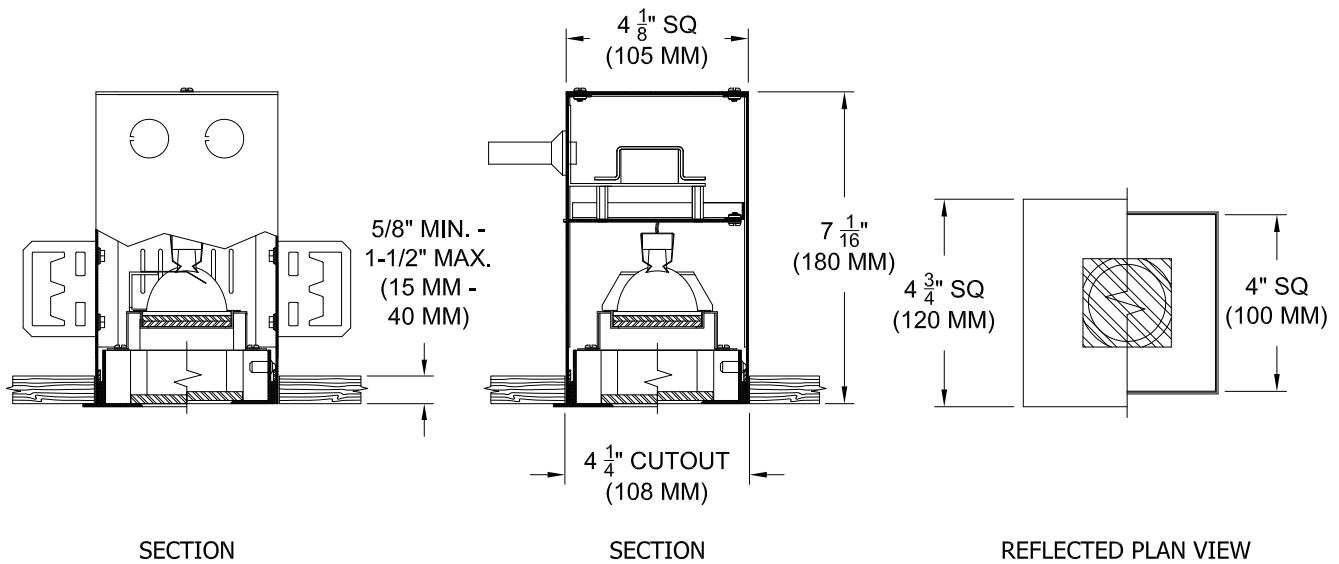
**LAMP** - MR-16, 50w max. supplied by others.

**FINISH** - White powder paint housing. Aperture trim available in black and white as standard. Solid wood, additional colors and RAL palette available. Consult factory for custom finishes.

**LABELS** - UL, C-UL, Damp location, Wet with ST trim.

**APPLICATIONS**

General downlighting in low to medium ceiling heights typically found in residential, commercial and retail applications. Suitable for new construction. Zero trim can be used with in solid surface ceilings such as wood, stone, metal panel or glass.



**ORDERING INFORMATION**

HOUSING	TRIM	TRANSFORMER	LAMP	LENS	TRIM FINISH	APERTURE LENS
4012-MR16-CUH		/				
Compact Universal Housing.	<b>FT</b> = Flanged Trim <b>ST</b> = Shower Trim <b>ZT</b> = Zero Trim	<b>TX</b> = Magnetic <b>EX</b> = Electronic <b>RX</b> = Remote	<b>120</b> <b>277</b>	<b>90L</b> = Clear <b>91L</b> = Solite <b>92L</b> = Supertex <b>93L</b> = Frosted <b>95L</b> = Full Prismatic	<b>P14</b> = White <b>PXX</b> = SLI Color <b>WXX</b> = Wood <b>XXXX</b> = RAL # <b>CST</b> = Custom	<b>Blank</b> = None <b>91A</b> = Solite <b>92A</b> = Supertex <b>93A</b> = Frosted <b>95A</b> = Full Prismatic



**SPECIALTY LIGHTING INDUSTRIES, INC.**

NOTE: These specifications subject to change without notice.

[www.specialtylightingindustries.com](http://www.specialtylightingindustries.com)

1306 DORIS AVENUE, OCEAN, NJ 07712 USA 800.462.7812 732.517.0800 FAX 732.517.0971 ©06/11