

Single lamp, metal halide, recessed downlight with nominal 4" (100mm) square aperture and optional glass diffuser.

TYPE: \_\_\_\_\_

JOB: \_\_\_\_\_

SPECIFIER: \_\_\_\_\_

**SPECIFICATIONS**

**HOUSING** - Precision die-formed heavy gauge aluminum with perforated flangeless trim and integrated screed edge.

**MOUNTING** - Install from below in sheetrock ceiling.

**ELECTRICAL** - Integral electronic ballast. 120v primary lead, (220v, 240v, 277v available). External thermoprotector.

**LAMP** - MR-16, 20w or 39w supplied by others.

**LABELS** - CSA-C,US, Damp location.

**SOCKET** - Precision die-formed aluminum socket plate. GX10 ceramic socket with high temperature, silicone coated lead wires.

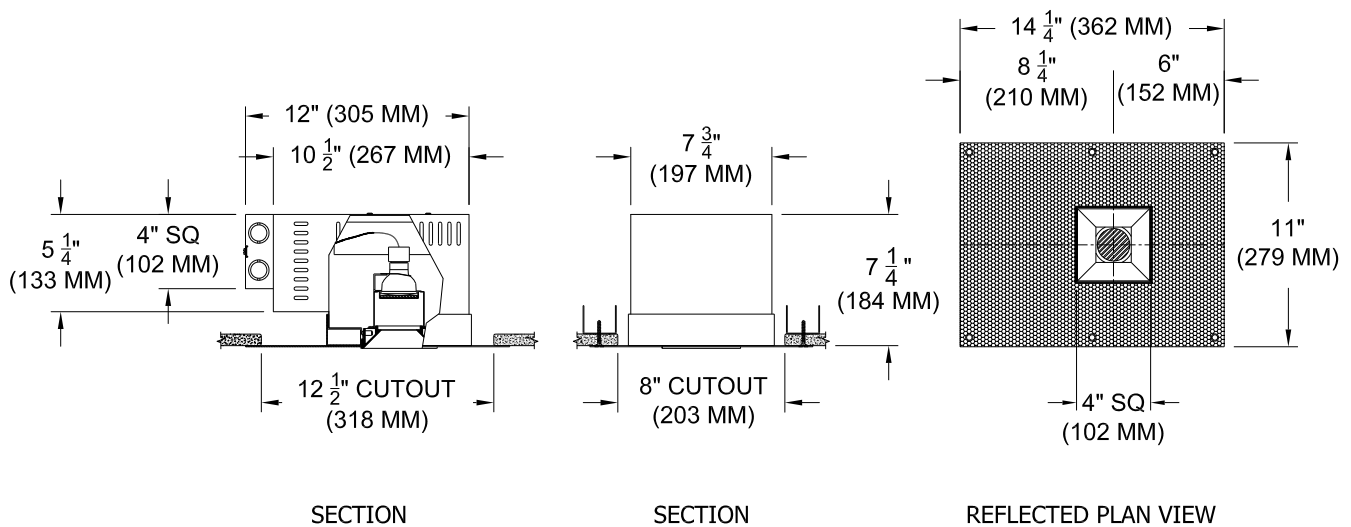
**LENS** - Optional borosilicate lenses available for lampholder and aperture.

**TRIM** - Flangeless, one piece die-cast aluminum pyramidal shield.

**FINISH** - Black powder paint housing. Aperture trim available in black and white as standard. Solid wood, additional colors and RAL palette available. Consult factory for custom finishes.

**APPLICATIONS**

General downlighting in medium to tall ceiling heights typically found in commercial and retail applications. Suitable for new or existing construction in sheetrock ceilings.



**ORDERING INFORMATION**

HOUSING	TRIM	BALLAST		LAMP LENS	TRIM FINISH	APERTURE LENS
4009-MR16MH-PH	ZT	/				
Plaster Flange Housing	ZT = Zero Trim	20 = 20 watt 39 = 39 Watt	120 220 240 277	91L = Solite 92L = Supertex 93L = Frosted 95L = Full Prismatic 98L = UV Filter	P14 = White PXX = SLI Color WXX = Wood XXXX = RAL # CST = Custom	90A = Clear 91A = Solite 92A = Supertex 93A = Frosted 95A = Full Prismatic



**SPECIALTY LIGHTING INDUSTRIES, INC.**

NOTE: These specifications subject to change without notice.

[www.specialtylightingindustries.com](http://www.specialtylightingindustries.com)

1306 DORIS AVENUE, OCEAN, NJ 07712 USA 800.462.7812 732.517.0800 FAX 732.517.0971 © 04/12