

Single lamp, low-voltage halogen, recessed down light with conical trim 2" aperture and optional glass diffuser.

TYPE: _____

JOB: _____

SPECIFIER: _____

SPECIFICATIONS

HOUSING - Single lamp, low-voltage halogen, recessed down light, nominal 4" diameter trim with 2" aperture and optional glass diffuser.

MOUNTING - Recessed in architectural ceiling.

ELECTRICAL - Integral dimmable electronic or toroidal magnetic transformer. 120v primary lead, (220v, 240v, 277v available), 11.75v secondary with overload protection. External thermoprotector.

LAMP - MR-16, 50w max. supplied by others.

LABELS - UL, C-UL, Damp Location, Wet with ST trim.

SOCKET - G4/G6 ceramic socket with high temperature, teflon coated lead wires.

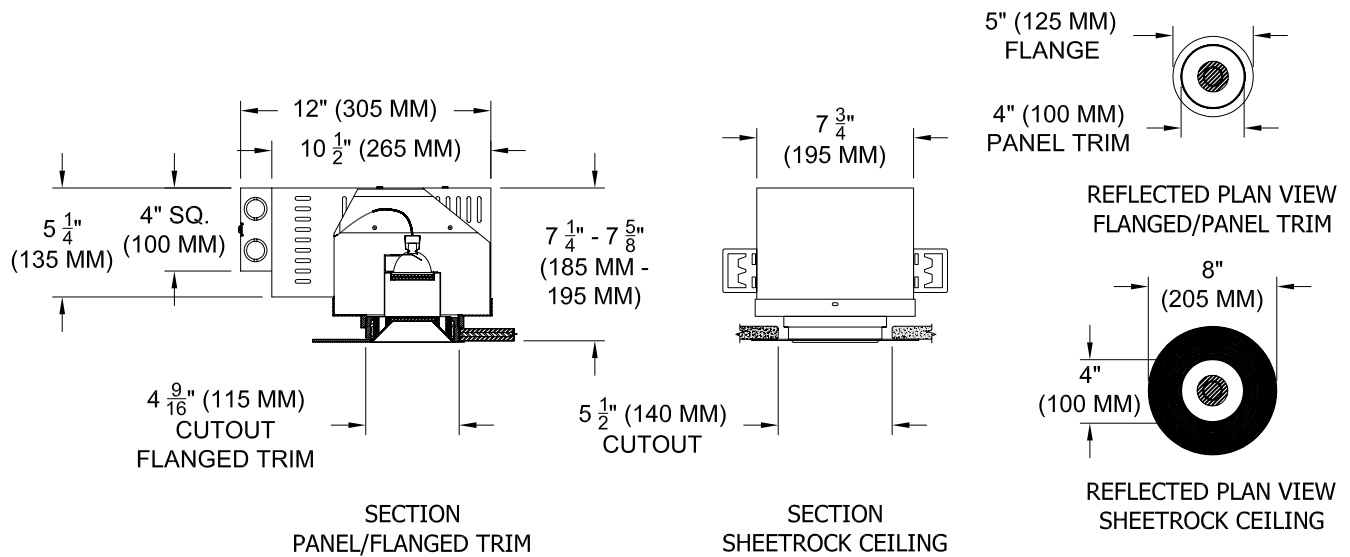
LENS - Clear pyrex safety lens. Optional borosilicate lenses available for lampholder and aperture.

TRIM - Flanged or flangeless ceiling collar. Diecast conical shield with pinhole aperture. ST trim fully sealed and gasketed.

FINISH - Black powder paint housing. Aperture trim stocked in black and white. Additional colors and RAL palette available. Consult factory for custom finishes. Wood trim available.

APPLICATIONS

General downlighting in low to medium ceiling heights typically found in residential, commercial and retail applications. Suitable for new construction.



ORDERING INFORMATION

HOUSING	TRIM	TRANSFORMER	LAMP LENS	TRIM FINISH	APERTURE LENS
4001-MR16-UH					
Universal Housing	FT = Flanged Trim PT = Panel Trim ST = Shower Trim ZT = Zero Trim	EX = Electronic TX = Magnetic RX = Remote	90L = Clear 91L = Solite 92L = Supertex 95L = Full Prismatic 96L = Black Hexcel	P14 = White PXX = SLI Color WXX = Wood XXXX = RAL # CST = Custom	Blank = None 91A = Solite 92A = Supertex 93A = Sandblasted 95A = Full Prismatic



SPECIALTY LIGHTING INDUSTRIES, INC.

NOTE: These specifications subject to change without notice.

www.specialtylightingindustries.com

1306 DORIS AVENUE, OCEAN, NJ 07712 USA 800.462.7812 732.517.0800 FAX 732.517.0971 © 03/10