

TYPE: \_\_\_\_\_  
 JOB: \_\_\_\_\_  
 \_\_\_\_\_

SPECIFICATIONS

**HOUSING** - Precision die-formed heavy gauge CRS. Aluminum flange.

**ELECTRICAL** - MR-16, remote transformer required, sold separately.

**LAMP ASSEMBLY/SOCKET** - Precision CNC machined, adjustable, aluminum lamp assembly. Holds up to 2 accessories, sold separately. G-4/G-6 with 250°C 600v Teflon coated lead wires.

**MOUNTING** - Recessed.

**LABELS** - UL, C-UL, Damp Location.

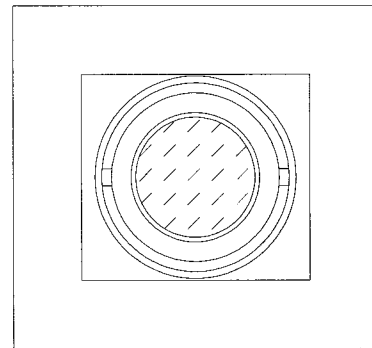
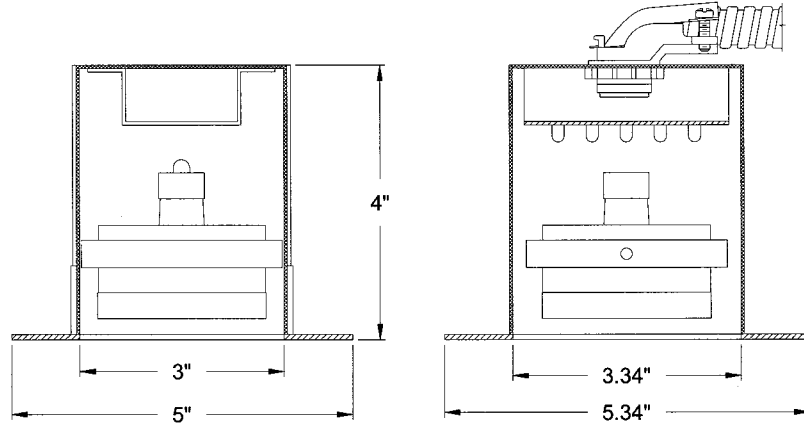
**LAMP** - MR-16, 12v - supplied by others.

**HOUSING FINISH** - Black powder paint on all interior surfaces.

**TRIM FINISH** - RAL colors standard, consult factory for custom finishes.

APPLICATIONS

Recessed, adjustable, rectangular aperture, accent light. Perfect for retail, residential, or commercial applications.



ORDERING INFORMATION

FIXTURE	LAMP	TRIM FINISH
<b>#1600-1</b>		
Recessed display lighting system	<b>20MR-16</b> = 12v, 20w <b>37MR-16</b> = 12v, 37w <b>50MR-16</b> = 12v, 50w	<b>WHT</b> = White <b>BLK</b> = Black <b>XXXX</b> = RAL # <b>CST</b> = Custom (must supply chip)



**SPECIALTY LIGHTING INDUSTRIES, INC.** ©2004

1306 DORIS AVENUE OCEAN, NJ 07712 800.462.7812 732.517.0800 FAX 732.517.0971 [www.specialtylightingindustries.com](http://www.specialtylightingindustries.com)

These specifications subject to change without notice.