

Single lamp, low-voltage halogen recessed wall washer with nominal 4" conical aperture.

TYPE: _____

JOB: _____

SPECIFIER: _____

SPECIFICATIONS

HOUSING - Precision die-formed heavy gauge aluminum with machined adjustable ceiling collar.

MOUNTING - Recessed in sheetrock ceiling.

ELECTRICAL - Integral dimmable electronic or toroidal magnetic transformer. 120v primary lead, (220v, 240v, 277v available), 11.75v secondary with overload protection. External thermoprotector.

LAMP - MR-16 NFL, 50w max. supplied by others.

LABELS - UL, C-UL, Damp location

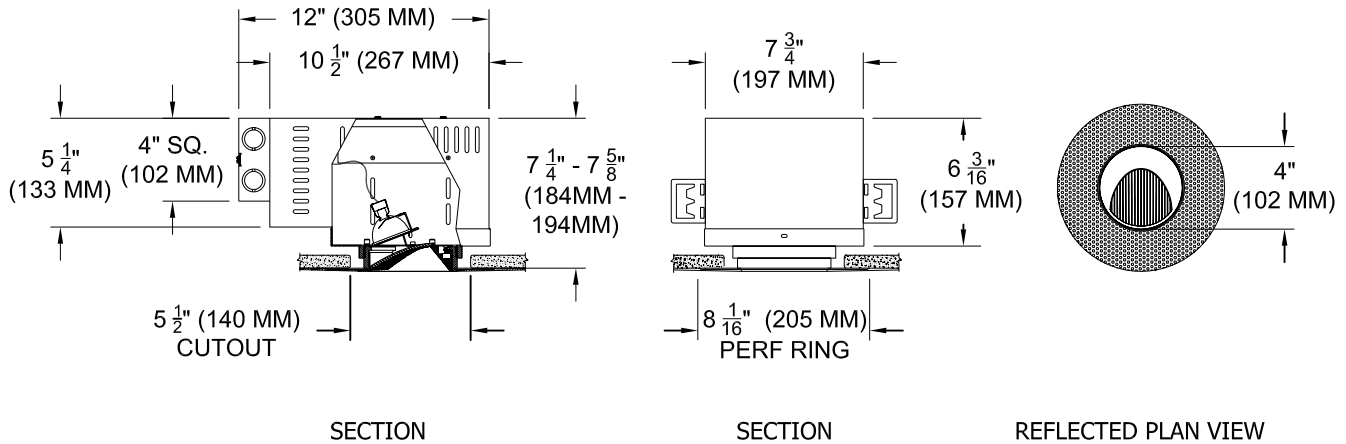
SOCKET - Precision die-formed aluminum socket plate. G4/G6 ceramic socket with high temperature, teflon coated lead wires.

OPTICS - Supertex borosilicate spread lens, hinged for relamping. Alzak Kick reflector. Optional UV lens available
TRIM - Flangeless CNC machined conical shield with arched aperture.

FINISH - Black powder paint housing. Aperture trim available in black and white as standard. Additional colors and RAL palette available. Consult factory for custom finishes.

APPLICATIONS

Wallwashing in low to medium ceiling heights typically found in residential, commercial and retail applications. Suitable for new construction in sheetrock ceilings.



ORDERING INFORMATION

HOUSING	TRIM	TRANSFORMER	LAMP LENS	TRIM FINISH	APERTURE LENS
1250-MR16-PH	ZT				92A
Plaster Flange Housing	ZT = Zero Trim	TX = Magnetic EX = Electronic RX = Remote	Blank = None 98L = UV Filter	P14 = White BLK = Black PXX = SLI Color XXXX = RAL # CST = Custom	92A = Supertex



SPECIALTY LIGHTING INDUSTRIES, INC.

NOTE: These specifications subject to change without notice.

www.specialtylightingindustries.com

1306 DORIS AVENUE, OCEAN, NJ 07712 USA 800.462.7812 732.517.0800 FAX 732.517.0971 © 11/08