

Single lamp, low-voltage halogen recessed wall washer with nominal 4" square aperture and flangeless trim. Suitable for install from below applications.

TYPE: _____

JOB: _____

SPECIFICATIONS

HOUSING - Precision die-formed heavy gauge aluminum with perforated flangeless trim and integrated screed edge.

MOUNTING - Install from below into sheetrock ceiling.

ELECTRICAL - Integral dimmable electronic or toroidal transformer. 120v primary lead, (220v, 240v, 277v available), 11.75v secondary with overload protection. External thermoprotector.

LAMP - MR-16 flood, 50w max. supplied by others.

LABELS - UL, C-UL

SOCKET - Precision die formed aluminum socket plate. G4/G6 ceramic socket with high temperature, teflon coated lead wires.

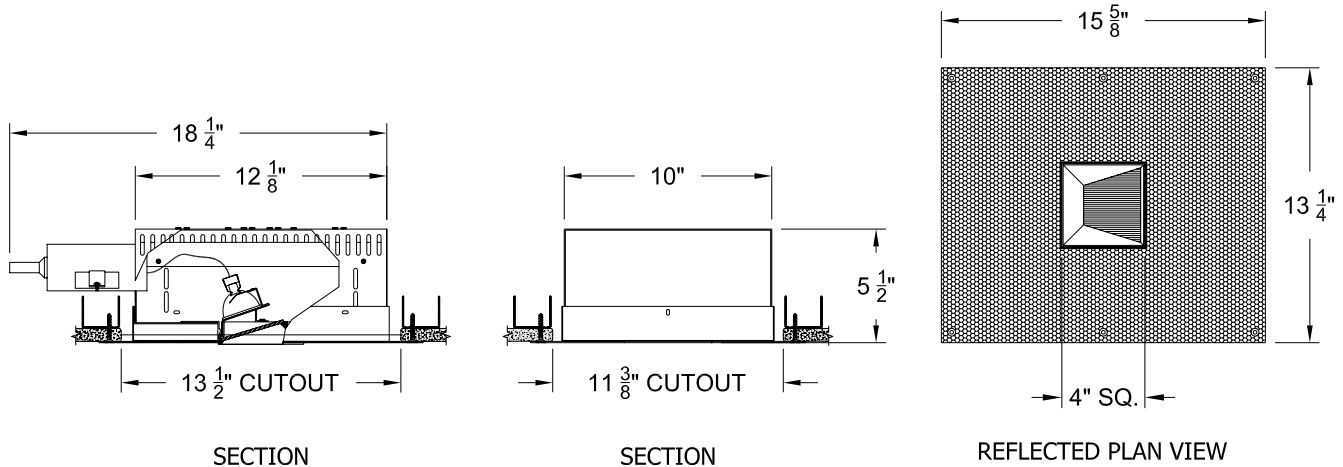
LENS - Supertex borosilicate spread lens, hinged for relamping.

TRIM - Flangeless, one piece die-cast aluminum pyramidal shield.

FINISH - White powder paint housing. Aperture trim available in black white or RAL colors as standard. Consult factory for custom finishes.

APPLICATIONS

Wallwashing in low to medium ceiling heights typically found in residential, commercial and retail applications. Suitable for new or existing construction with limited recessing depth.



ORDERING INFORMATION

HOUSING	TRIM	TRANSFORMER	FINISH	APERTURE LENS
1240-MR16-SPH	ZT			92A
Shallow plaster housing	ZT = Flangeless trim	TX = Magnetic EX = Electronic RX = Remote	P14 = Matte White BLK = Black XXXX = RAL # CST = Custom (supply chip)	92A = Supertex



SPECIALTY LIGHTING INDUSTRIES, INC.

NOTE: These specifications subject to change without notice.

www.specialtylightingindustries.com

1306 DORIS AVENUE, OCEAN, NJ 07712 USA 800.462.7812 732.517.0800 FAX 732.517.0971 © 2006