

Single lamp, compact fluorescent recessed wall washer with nominal 4"x 9" rectilinear aperture. Suitable for installation in ceilings up to 1" thick.

TYPE: _____

JOB: _____

SPECIFIER: _____

SPECIFICATIONS

HOUSING - Precision die-formed heavy gauge aluminum with extruded ceiling collar.

SOCKET - GX24q PBT socket with high temperature, teflon coated lead wires.

MOUNTING - Recessed in architectural ceiling.

LENS - Acrylic fresnel lens, hinged for relamping.

ELECTRICAL - Integral electronic, thermally protected ballast. 120v, 277v, (220v 240v, available). External thermoprotector.

TRIM - Flanged or flangeless, one piece die-cast aluminum pyramidal shield.

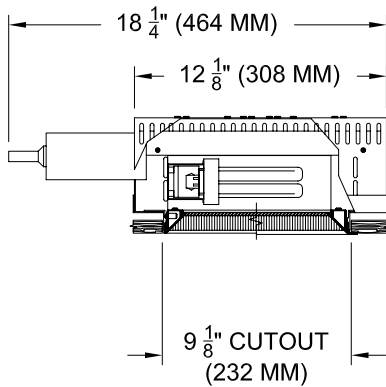
LAMP - Triple tube compact fluorescent supplied by others.

FINISH - Black powder paint housing. Aperture trim available in black and white as standard. Additional colors and RAL palette available. Consult factory for custom finishes.

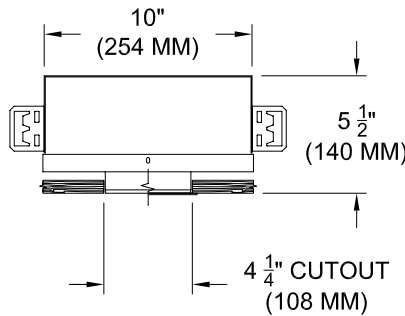
LABELS - UL, C-UL, Damp location

APPLICATIONS

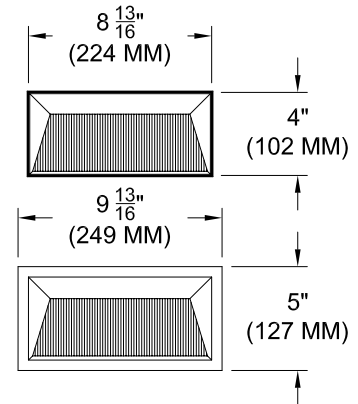
Wallwashing in low medium ceiling heights typically found in residential, commercial and retail applications. Suitable for new construction. Zero trim can be used with in solid surface ceilings such as wood, stone, metal panel or glass.



SECTION



SECTION



REFLECTED PLAN VIEW

ORDERING INFORMATION

HOUSING	TRIM	VOLTAGE	FINISH	APERTURE LENS
1240-CF__-SWH				84A
Shallow flangeless housing 18 = 18 watt 24 = 24 watt 32 = 32 watt	FT = Flanged trim ZT = Flangeless trim	120 220 240 277 add DM for dimming	P14 = Matte White BLK = Black PXX = SLI Color XXXX = RAL # CST = Custom	84A = Fresnel Acrylic



SPECIALTY LIGHTING INDUSTRIES, INC.

NOTE: These specifications subject to change without notice.

www.specialtylightingindustries.com

1306 DORIS AVENUE, OCEAN, NJ 07712 USA 800.462.7812 732.517.0800 FAX 732.517.0971 © 10/08