

Single lamp, fluorescent recessed wall washer with nominal 5"x 6" aperture.

TYPE: _____

JOB: _____

SPECIFIER: _____

SPECIFICATIONS

HOUSING - Extruded aluminum. Precision die-formed frame with flanged trim.

SOCKET - GX24q PBT socket with high temperature, teflon coated lead wires.

MOUNTING - Recessed in architectural ceiling.

LENS - Acrylic or cast borosilicate fresnel lenses available.

ELECTRICAL - Integral electronic, thermally protected ballast. 120v, 277v, (220v 240v, available). External thermoprotector.

TRIM - Overlap flange integral to frame-in kit.

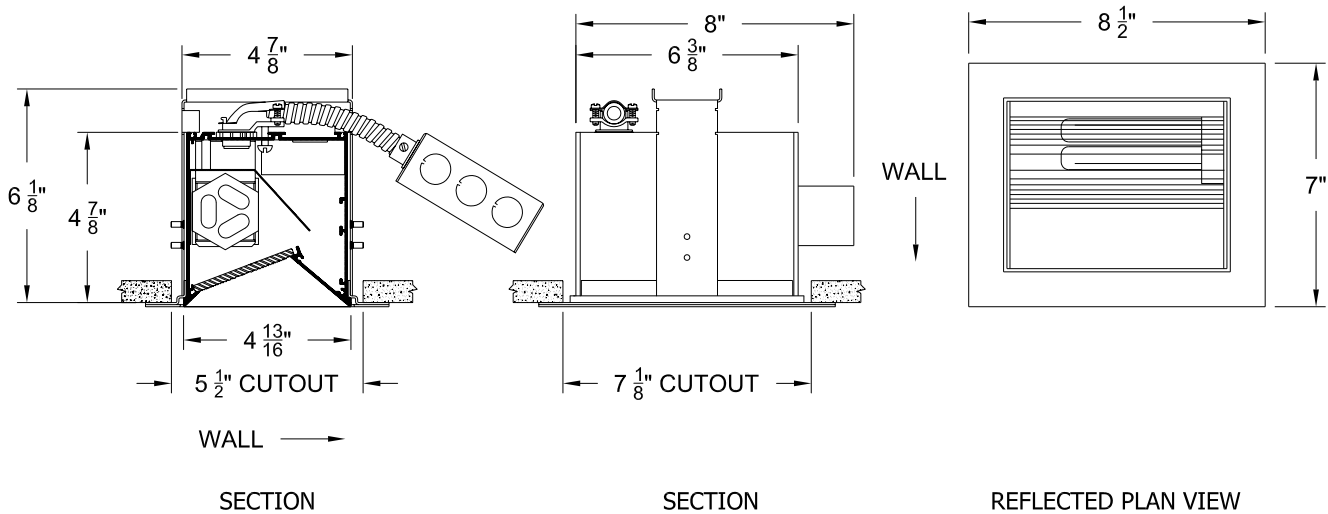
LAMP - Triple tube compact fluorescent.

FINISH - Powder paint on all surfaces in black and white as standard. Additional colors and RAL palette available. Consult factory for custom finishes.

LABELS - UL, C-UL, Damp location

APPLICATIONS

Wallwashing in low ceiling heights typically found in residential, and commercial applications. Suitable for new or existing construction.



ORDERING INFORMATION

HOUSING	BALLAST	FINISH	LENS
1100-CF__-FH			
Housing with Flanged Frame. 18 = 18 watt 26 = 26 watt 32 = 32 watt	120 220 240 277	WHT = White BLK = Black PXX = SLI Color XXXX = RAL # CST = Custom	80 = Fresnel 83 = Frosted Fresnel 84 = Fresnel Acrylic 87 = Frosted Fresnel Acrylic



SPECIALTY LIGHTING INDUSTRIES, INC.

NOTE: These specifications subject to change without notice.

www.specialtylightingindustries.com

1306 DORIS AVENUE, OCEAN, NJ 07712 USA 800.462.7812 732.517.0800 FAX 732.517.0971 © 01/09