

Twin lamp, low-voltage halogen and metal halide, recessed accent light with nominal 4"x8" rectangular 2 cell aperture and flangeless trim.

TYPE: _____

JOB: _____

SPECIFIER: _____

SPECIFICATIONS

HOUSING - Precision die-formed heavy gauge aluminum with extruded ceiling collar.

MOUNTING - Recessed in millwork or stone ceiling.

ELECTRICAL - Integral electronic ballast and dimmable electronic transformer. 120v primary lead, (220v, 240v, 277v available). External thermoprotector.

LAMP - GE MR16 CMH 20w

MR-16, 50w max. supplied by others.

LABELS - UL, C-UL Damp Location

SOCKET - Precision die-formed aluminum yoke with CNC machined lampholder assembly. GX10 and G4/G6 ceramic sockets with high temperature lead wires.

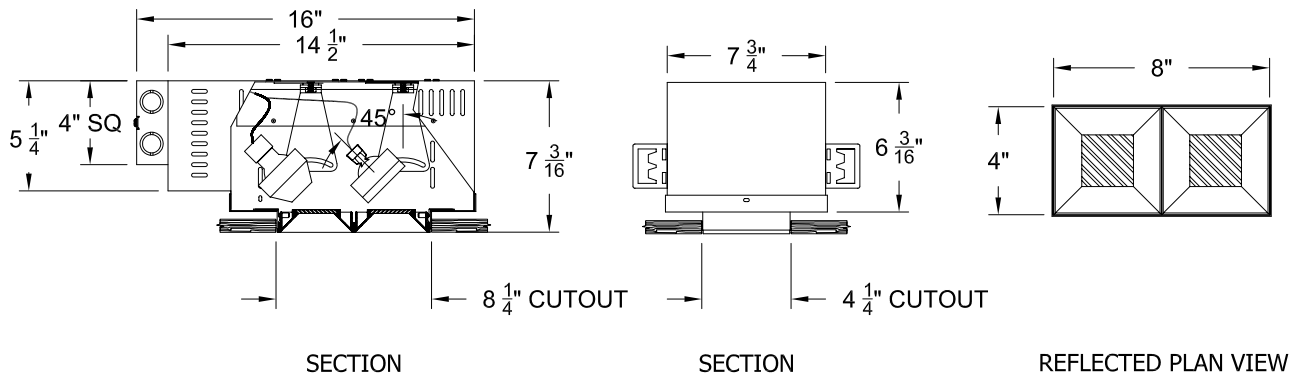
LENS - Optional borosilicate lenses available for lampholder and aperture.

TRIM - Flangeless, two piece die-cast aluminum pyramidal shield.

FINISH - Black powder paint housing. Aperture trim available in black white or RAL colors as standard. Consult factory for custom finishes.

APPLICATIONS

General downlighting in low to medium ceiling heights typically found in commercial and retail applications. Suitable for new construction.



ORDERING INFORMATION

HOUSING	TRIM	VOLTAGE	LENS HOLDER	LAMP LENS	TRIM FINISH	APERTURE LENS
1050-1MR16/1MR16MH-WH	ZT					
Wood Housing	ZT = Zero Trim	120 220 240 277	CL= Conical FL = Flat IL = Indexed	90L = Clear 91L = Solite 92L = Supertex 95L = Full Prismatic	P14 = White BLK = Black PXX = SLI Color XXXX = RAL # CST = Custom	Blank = None 91A = Solite 92A = Supertex 93A = Sandblasted 95A = Full Prismatic



SPECIALTY LIGHTING INDUSTRIES, INC.

NOTE: These specifications subject to change without notice.

www.specialtylightingindustries.com

1306 DORIS AVENUE, OCEAN, NJ 07712 USA 800.462.7812 732.517.0800 FAX 732.517.0971 © 09/07