

TYPE: _____
 JOB: _____

SPECIFICATIONS

HOUSING - Heavy gauge extruded aluminum (material of corrosion resistant alloy.) Heavy gauge CRS end plates.

ELECTRICAL - MR-16, integral electronic transformer. Thermal protector, standard. All accessible for service.

LAMP ASSEMBLY/SOCKET - Precision CNC machined, aluminum lamp assembly. Holds up to 2 accessories, sold separately. G-4/G-6 with 250°C 600v Teflon coated lead wires.

MOUNTING - Recessed, plaster ceiling.

LABELS - UL, C-UL -Damp Location.

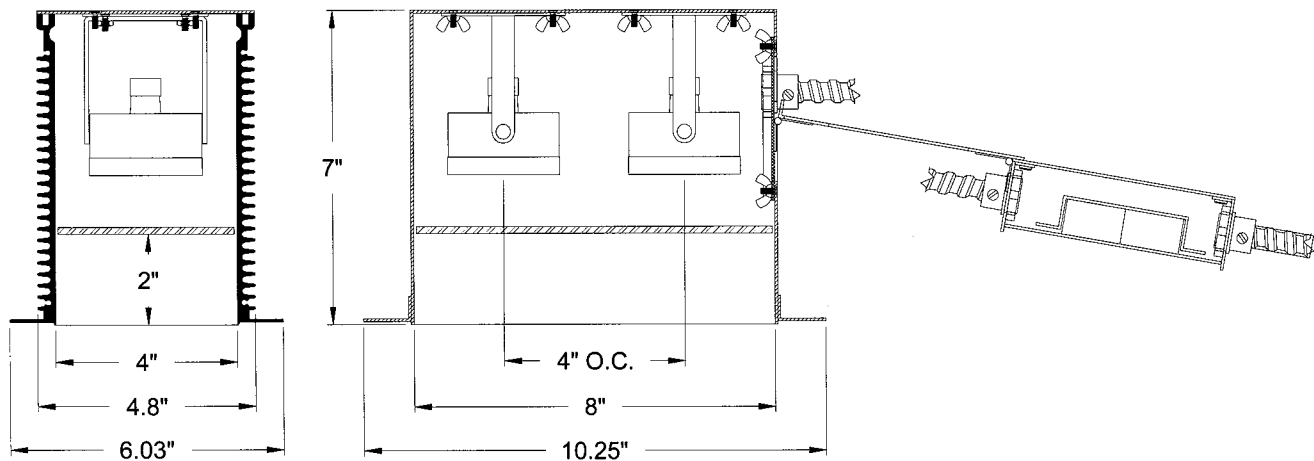
LAMP - MR-16, 12v - by others.

LENS - Frosted solite glass. Others available, consult factory.

FINISH - Powder paint on all surfaces. RAL colors standard, consult factory for custom finishes.

APPLICATIONS

Recessed, adjustable, rectangular aperture, accent light. Perfect for retail, residential, or commercial applications.



ORDERING INFORMATION

FIXTURE	LAMP	FINISH
#1044-2		
Recessed display lighting system	20MR-16 = 12v, 20w 37MR-16 = 12v, 37w 50MR-16 = 12v, 50w	WHT = White BLK = Black XXXX = RAL # CST = Custom (must supply chip)



SPECIALTY LIGHTING INDUSTRIES, INC. ©2004

1306 DORIS AVENUE OCEAN, NJ 07712 800.462.7812 732.517.0800 FAX 732.517.0971 www.specialtylightingindustries.com

These specifications subject to change without notice.