

Single lamp, low-voltage halogen, recessed accent light with nominal 2" square aperture, flangeless trim and optional glass diffuser.

TYPE: _____

JOB: _____

SPECIFICATIONS

HOUSING - Precision die-formed heavy gauge aluminum with extruded ceiling collar.

MOUNTING - Recessed in sheetrock ceiling.

ELECTRICAL - Integral dimmable electronic or toroidal transformer. 120v primary lead, (220v, 240v, 277v available), 11.75v secondary with overload protection. External thermoprotector.

LAMP - MR-16, 50w max. supplied by others.

LABELS - UL, C-UL

SOCKET - Precision die formed aluminum yoke with CNC machined lampholder assembly. G4/G6 ceramic socket with high temperature, teflon coated lead wires.

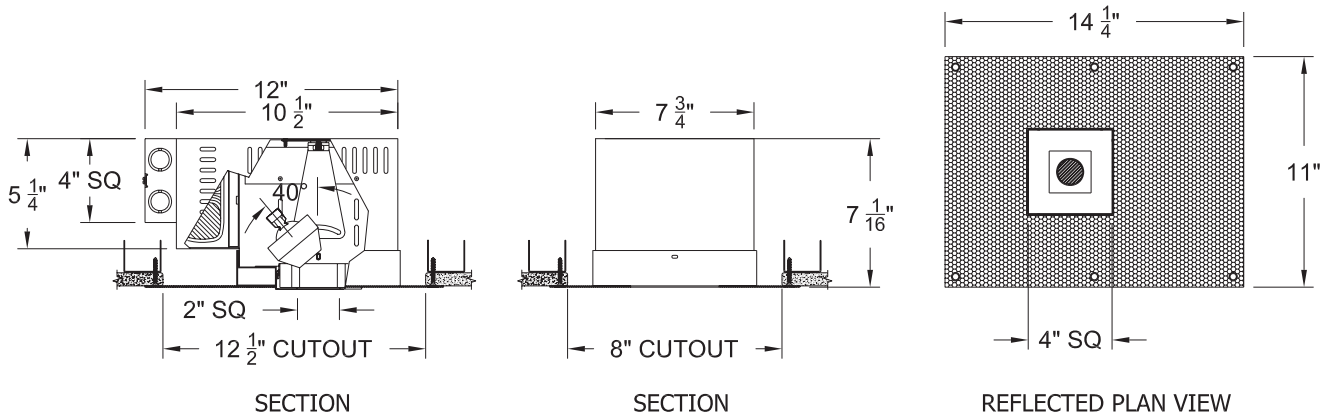
LENS - Clear pyrex safety lens. Optional borosilicate lenses available for lampholder and aperture.

TRIM - Flangeless one piece die-cast aluminum square plate with 2" square aperture.

FINISH - Black powder paint housing. Aperture trim available in black white or RAL colors as standard. Consult factory for custom finishes.

APPLICATIONS

Accent and downlighting in low to medium ceiling heights typically found in residential, commercial and retail applications. Suitable for new or existing construction.



ORDERING INFORMATION

HOUSING	TRIM	TRANSFORMER	LENS HOLDER	LAMP LENS	TRIM FINISH	APERTURE LENS
1012-MR16-PH	ZT					
Plaster housing	ZT = Zero Trim	TX = Magnetic EX = Electronic RX = Remote	CL= Conical FL = Flat	90L = Clear 91L = Solite 92L = Supertex 95L = Full Prismatic	WHT = White BLK = Black XXXX = RAL # CST = Custom (supply chip)	91A = Solite 92A = Supertex 93A = Sandblasted 95A = Full Prismatic



SPECIALTY LIGHTING INDUSTRIES, INC.

NOTE: These specifications subject to change without notice.

www.specialtylightingindustries.com

1306 DORIS AVENUE, OCEAN, NJ 07712 USA 800.462.7812 732.517.0800 FAX 732.517.0971 © 2006