

Single lamp, solid state light engine, recessed accent light with nominal 2" square aperture and optional glass diffuser.

TYPE: _____

JOB: _____

SPECIFIER: _____

SPECIFICATIONS

HOUSING - Precision die-formed heavy gauge aluminum. Airtight construction suitable for direct contact with insulation.

MOUNTING - Recessed in architectural ceiling.

ELECTRICAL - Integral electronic driver with internal short circuit protection. 120v primary, 0-10v dimmable driver available.

LAMP - 10 watt LED array supplied with fixture.

LABELS - CUSA, CSA Damp Location, Wet with ST trim

SOCKET - Precision die-formed aluminum yoke with CNC machined lampholder assembly.

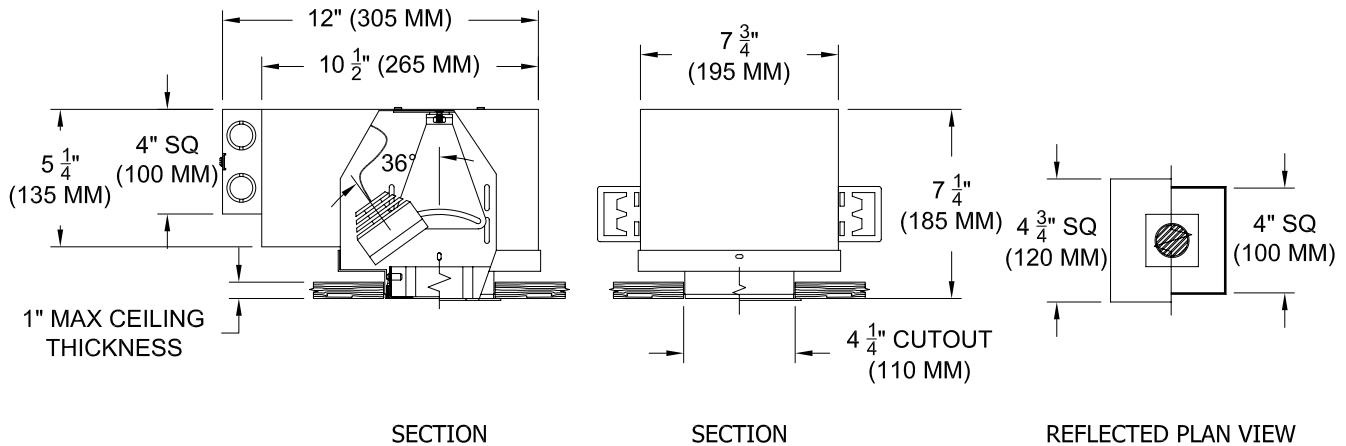
LENS - Clear pyrex safety lens. Optional borosilicate lenses available for lampholder and aperture.

TRIM - Flanged or flangeless one piece die-cast aluminum square plate with 2" square aperture. ST trim fully gasketed.

FINISH - Black powder paint housing. Aperture trim available in black and white as standard. Additional colors and RAL palette available. Consult factory for custom finishes.

APPLICATIONS

Accent and downlighting in low to medium ceiling heights typically found in residential, commercial and retail applications. Suitable for new construction. Zero trim can be used with in solid surface ceilings such as wood, stone, metal panel or glass.



ORDERING INFORMATION

HOUSING	TRIM	VOLTAGE	LENS HOLDER	LAMP LENS	TRIM FINISH	APERTURE LENS
1012-LED-AUH						
Airtight Universal Housing	FT = Flanged Trim ST = Shower Trim ZT = Zero Trim	120 120DM = Dimming	FL = Flat IL = Indexed	90L = 10 Degree 91L = 25 Degree 92L = 10x55 Degree 95L = 50 Degree	P14 = White BLK = Black PXX = SLI Color XXXX = RAL # CST = Custom	Blank = None 91A = Solite 92A = Supertex 93A = Sandblasted 95A = Full Prismatic



SPECIALTY LIGHTING INDUSTRIES, INC.

NOTE: These specifications subject to change without notice.

www.specialtylightingindustries.com

1306 DORIS AVENUE, OCEAN, NJ 07712 USA 800.462.7812 732.517.0800 FAX 732.517.0971 © 03/09