

Single lamp, metal halide, recessed accent light with nominal 4" square aperture and optional glass diffuser.

TYPE: _____

JOB: _____

SPECIFIER: _____

SPECIFICATIONS

HOUSING - Precision die-formed heavy gauge aluminum.

MOUNTING - Recessed in architectural ceiling.

ELECTRICAL - Integral electronic ballast. 120v primary lead, (220v, 240v, 277v available). External thermoprotector.

LAMP - GE MR-16 CMH 39w max. supplied by others.

LABELS - CSA-C,US, Damp location Wet with ST trim.

SOCKET - Precision die formed aluminum yoke with CNC machined lampholder assembly. GX10 ceramic socket with high temperature, silicone coated lead wires.

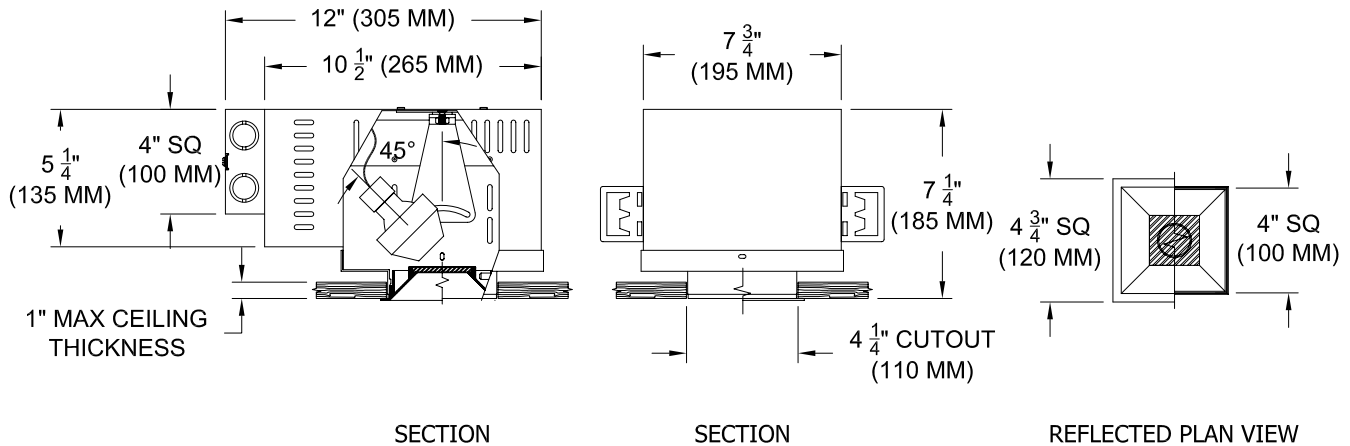
LENS - Optional borosilicate lenses available for lampholder and aperture.

TRIM - Flanged or flangeless, one piece die-cast aluminum pyramidal shield. ST trim fully sealed and gasketed.

FINISH - Black powder paint housing. Aperture trim available in black and white as standard. Additional colors and RAL palette available. Consult factory for custom finishes.

APPLICATIONS

Accent and downlighting in medium to tall ceiling heights typically found in commercial and retail applications. Suitable for new construction. Zero trim can be used with in solid surface ceilings such as wood, stone, metal panel or glass.



ORDERING INFORMATION

HOUSING	TRIM	BALLAST	LENS HOLDER	LAMP LENS	TRIM FINISH	APERTURE LENS
1009-MR16MH-UH		WATTS/VOLTS				
Universal Housing	FT = Flanged Trim ST = Shower Trim ZT = Zero Trim	20/120 39/120 20/220 39/220 20/240 39/240 20/277 39/277	CL= Conical FL = Flat IL = Indexed	90L = Clear 91L = Solite 92L = Supertex 95L = Full Prismatic	P14 = White BLK = Black PXX = SLI Color XXXX = RAL # CST = Custom	Blank = None 91A = Solite 92A = Supertex 93A = Sandblasted 95A = Full Prismatic



SPECIALTY LIGHTING INDUSTRIES, INC.

NOTE: These specifications subject to change without notice.

www.specialtylightingindustries.com

1306 DORIS AVENUE, OCEAN, NJ 07712 USA 800.462.7812 732.517.0800 FAX 732.517.0971 © 02/10