

Single lamp, low-voltage halogen, recessed accent light with nominal 4" square aperture and optional glass diffuser.

TYPE: _____

JOB: _____

SPECIFIER: _____

SPECIFICATIONS

HOUSING - Precision die-formed heavy gauge aluminum.

MOUNTING - Recessed in architectural ceiling.

ELECTRICAL - Integral dimmable electronic or toroidal magnetic transformer. 120v primary lead, (220v, 240v, 277v available), 11.75v secondary with overload protection. External thermoprotector.

LAMP - MR-16, 50w max. supplied by others.

LABELS - UL, C-UL, Damp location, Wet with ST trim.

SOCKET - Precision die-formed aluminum yoke with CNC machined lampholder assembly. G4/G6 ceramic socket with high temperature, teflon coated lead wires.

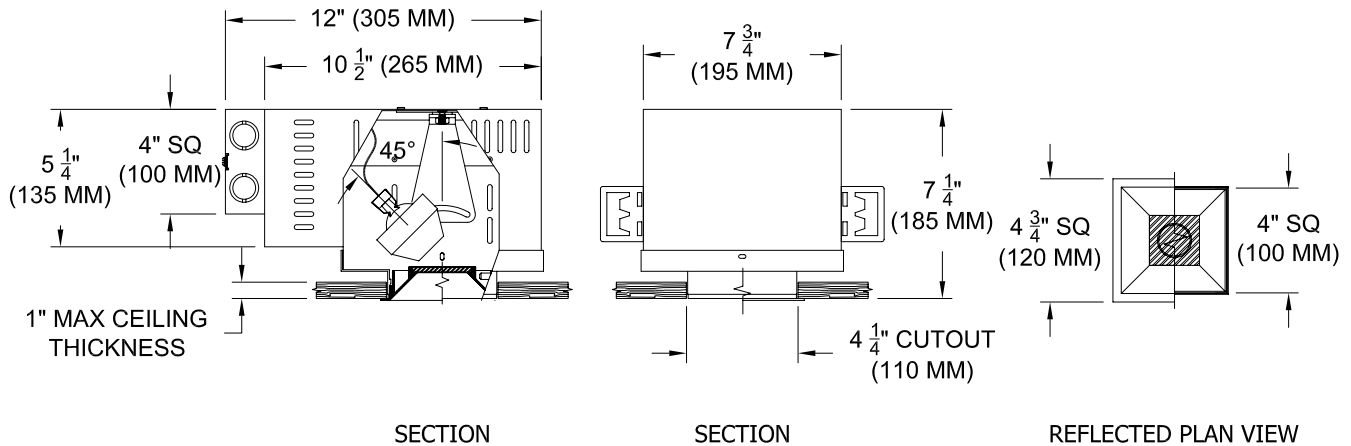
LENS - Clear pyrex safety lens. Optional borosilicate lenses available for lampholder and aperture.

TRIM - Flanged or flangeless, one piece die-cast aluminum pyramidal shield.

FINISH - Black powder paint housing. Aperture trim available in black and white as standard. Solid wood, additional colors and RAL palette available. Consult factory for custom finishes.

APPLICATIONS

Accent and downlighting in low to medium ceiling heights typically found in residential, commercial and retail applications. Suitable for new construction. Zero trim can be used with in solid surface ceilings such as wood, stone, metal panel or glass.



ORDERING INFORMATION

| HOUSING | TRIM | TRANSFORMER | LENS HOLDER | LAMP LENS | TRIM FINISH | APERTURE LENS |
|-------------------|---|---|---|--|--|---|
| 1009-MR16-UH | | | | | | |
| Universal Housing | FT = Flanged Trim ST = Shower Trim ZT = Zero Trim | TX = Magnetic EX = Electronic RX = Remote | CL = Conical FL = Flat IL = Indexed | 90L = Clear 91L = Solite 92L = Supertex 95L = Full Prismatic 96L = Black Hexcell | P14 = White PXX = SLI Color WXX = Wood XXXX = RAL # CST = Custom | Blank = None 91A = Solite 92A = Supertex 93A = Sandblasted 95A = Full Prismatic |



SPECIALTY LIGHTING INDUSTRIES, INC.

NOTE: These specifications subject to change without notice.

www.specialtylightingindustries.com

1306 DORIS AVENUE, OCEAN, NJ 07712 USA 800.462.7812 732.517.0800 FAX 732.517.0971 © 08/10