

Dual lamp, low-voltage halogen, recessed accent light with nominal 4"x 9" rectilinear aperture and optional glass diffuser.

TYPE: \_\_\_\_\_

JOB: \_\_\_\_\_

SPECIFIER: \_\_\_\_\_

**SPECIFICATIONS**

**HOUSING** - Precision die-formed heavy gauge aluminum.

**MOUNTING** - Recessed in architectural ceiling.

**ELECTRICAL** - Integral dimmable electronic or toroidal magnetic transformer. 120v primary lead, (220v, 240v, 277v available), 11.75v secondary with overload protection. External thermoprotector.

**LAMP** - (2) ALR-12, 35w max. supplied by others.

**LABELS** - UL, C-UL, Damp location

**SOCKET** - Precision die-formed aluminum yoke with CNC machined lampholder assembly. Nickel plated steel double contact bayonet base with stainless steel spring for optimum contact. High temperature silicone lead wires.

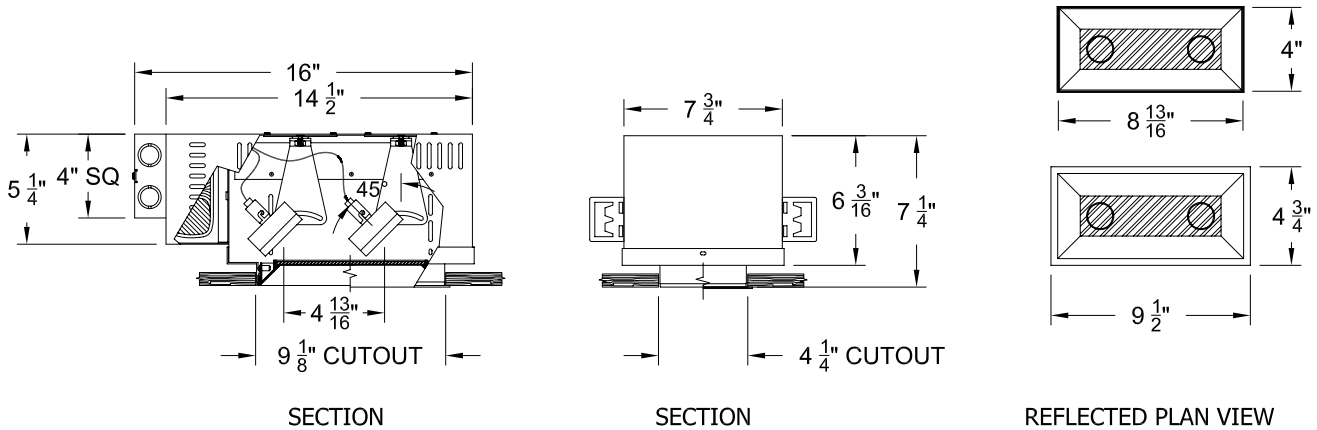
**LENS** - Clear pyrex safety lens. Optional borosilicate lenses available for lampholder and aperture.

**TRIM** - Flanged or flangeless, one piece die-cast aluminum pyramidal shield.

**FINISH** - Black powder paint housing. Aperture trim available in black and white as standard. Additional colors and RAL palette available. Consult factory for custom finishes.

**APPLICATIONS**

Accent and downlighting in low to medium ceiling heights typically found in residential, commercial and retail applications. Suitable for new construction. Zero trim can be used with in solid surface ceilings such as wood, stone, metal panel or glass.



**ORDERING INFORMATION**

HOUSING	TRIM	TRANSFORMER	LENS HOLDER	LAMP LENS	TRIM FINISH	APERTURE LENS
1009-2ALR12-WH						
Flangless Housing	FT = Flanged Trim ZT = Zero Trim	TX = Magnetic EX = Electronic EX2 = 2 cir. Elect. RX = Remote	CL= Conical FL = Flat IL = Indexed	90L = Clear 91L = Solite 92L = Supertex 95L = Full Prismatic 96L = Black Hexcell	P14 = White BLK = Black PXX = SLI Color XXXX = RAL # CST = Custom	Blank = None 91A = Solite 92A = Supertex 93A = Sandblasted 95A = Full Prismatic



**SPECIALTY LIGHTING INDUSTRIES, INC.**

NOTE: These specifications subject to change without notice.

[www.specialtylightingindustries.com](http://www.specialtylightingindustries.com)

1306 DORIS AVENUE, OCEAN, NJ 07712 USA 800.462.7812 732.517.0800 FAX 732.517.0971 © 06/08