

TYPE: _____

JOB: _____

SPECIFICATIONS

HOUSING - Heavy gauge extruded aluminum (material of corrosion resistant alloy.) Heavy gauge CRS end plates.

ELECTRICAL - MR-16, integral electronic or toroidal transformer. Remote transformer available, sold separately. Thermal protector, standard. All accessible for service.

LAMP ASSEMBLY/SOCKET - Precision CNC machined, aluminum lamp assembly with black anodized snoot. Holds up to 2 accessories, sold separately. G-4/G-6 with 250°C 600v Teflon coated lead wires.

MOUNTING - Recessed, plaster ceiling.

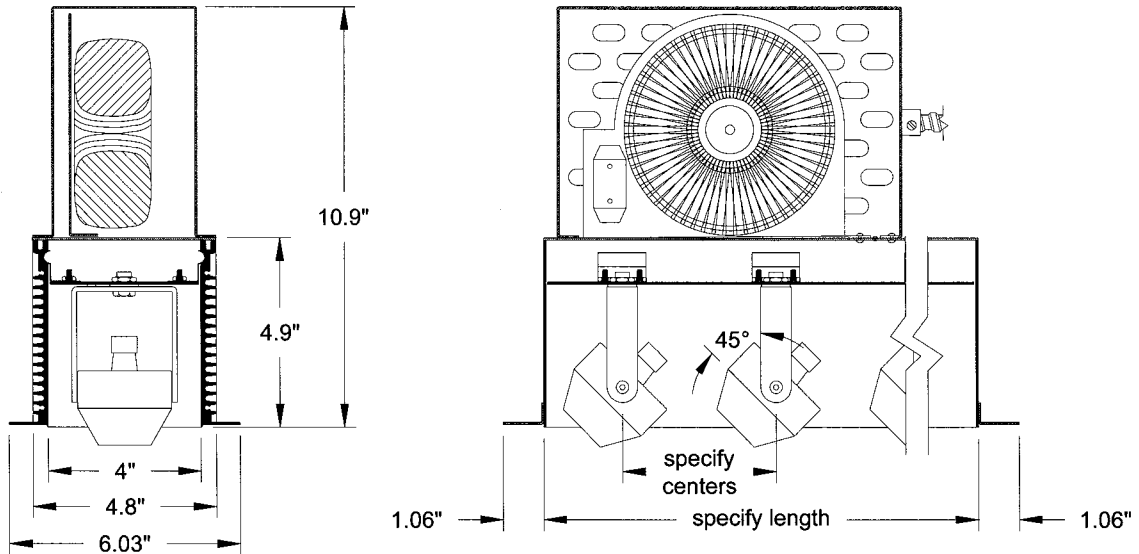
LABELS - UL, C-UL -Damp Location.

LAMP - MR-16, 12v - by others.

FINISH - Powder paint on all surfaces. RAL colors standard, consult factory for custom finishes.

APPLICATIONS

Recessed, rectangular aperture, trimless accent light. Perfect for retail, residential, or commercial applications.



ORDERING INFORMATION

FIXTURE	LAMP	LAMP SPACING	LENGTH	TRANSFORMER	FINISH
#1005C					
Recessed display lighting system	20MR = 12v, 20w 37MR = 12v, 37w 50MR = 12v, 50w	specify centers	specify exact length	IE = Integral electronic IT = Integral toroidal RT = Remote magnetic	WHT = White BLK = Black XXXX = RAL # CST = Custom (must supply chip)



SPECIALTY LIGHTING INDUSTRIES, INC. ©2004

1306 DORIS AVENUE OCEAN, NJ 07712 800.462.7812 732.517.0800 FAX 732.517.0971 www.specialtylightingindustries.com

These specifications subject to change without notice.