

Single lamp, low-voltage halogen, recessed, open slot accent light with nominal 4" square aperture.

TYPE: _____

JOB: _____

SPECIFIER: _____

SPECIFICATIONS

HOUSING - Extruded aluminum with bolt on end plates and integral plaster flange.

SOCKET - Precision die-formed aluminum yoke with CNC machined lampholder assembly.

MOUNTING - Recessed in sheetrock ceiling.

LENS - Clear pyrex safety lens. Optional borosilicate lenses available for lampholder.

ELECTRICAL - Integral dimmable electronic transformer. 120v primary lead, (220v, 240v, 277v available), 11.75v secondary with overload protection. Remote transformer available. External thermoprotector.

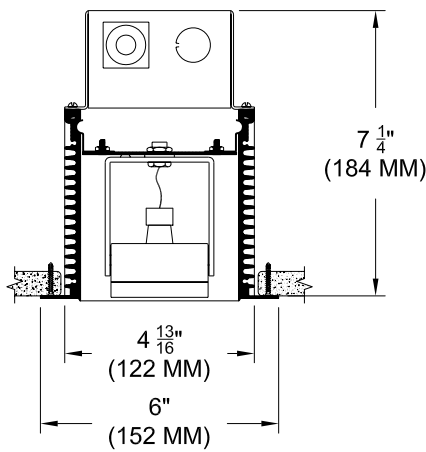
LAMP - MR-16, 50w max. supplied by others.

FINISH - Powder paint on all surfaces in black and white as standard. Additional colors and RAL palette available. Consult factory for custom finishes.

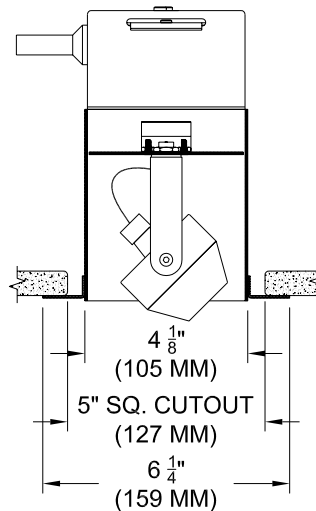
LABELS - UL, CUL, Damp Location

APPLICATIONS

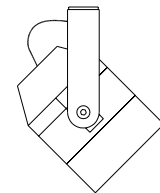
Accent and downlighting in low to medium ceiling heights typically found in residential, commercial and retail applications. Suitable for new or existing construction in sheetrock ceilings.



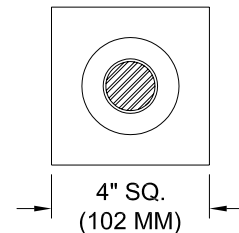
SECTION



SECTION



TUBULAR LENS HOLDER
W/BACK SHIELD



REFLECTED PLAN VIEW

ORDERING INFORMATION

HOUSING	TRANSFORMER	LENS HOLDER	LAMP LENS	TRIM FINISH	OPTIONS
1005-MR16-PH					
Plaster Flange Housing.	EX = Electronic RX = Remote	CL = Conical FL = Flat IL = Indexed TL = Tubular	90L = Clear 91L = Solite 92L = Supertex 93L = Sandblasted 95L = Full Prismatic	P14 = White BLK = Black PXX = SLI Color XXXX = RAL # CST = Custom	BS = Back Shield



**SPECIALTY LIGHTING
INDUSTRIES, INC.**

NOTE: These specifications subject to change without notice.

www.specialtylightingindustries.com

1306 DORIS AVENUE, OCEAN, NJ 07712 USA 800.462.7812 732.517.0800 FAX 732.517.0971 © 08/09