

TYPE: \_\_\_\_\_

JOB: \_\_\_\_\_

SPECIFICATIONS

**HOUSING** - Heavy gauge extruded aluminum (material of corrosion resistant alloy.)

**ELECTRICAL** - MR-16, remote transformer required, sold separately.

**MOUNTING** - Recessed, in concrete, for drive-over locations. Not to be recessed in soil.

**LABELS** - ETL and C-ETL,- Wet Location.

**LAMP ASSEMBLY** - Precision CNC machined aluminum lamp assembly. Ceramic socket (250°C 600v Teflon coated lead wires.)

**LAMP** - MR-16, 12v - by others.

**TRIM** - 6.6" diameter, 1/2" thick, CNC machined solid aluminum, with 3 stainless steel screws.

**GASKET** - Sealed with high temperature silicone o-ring gasket.

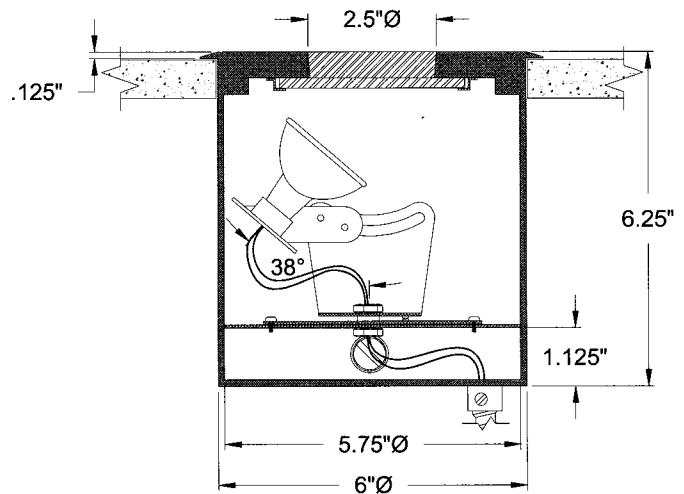
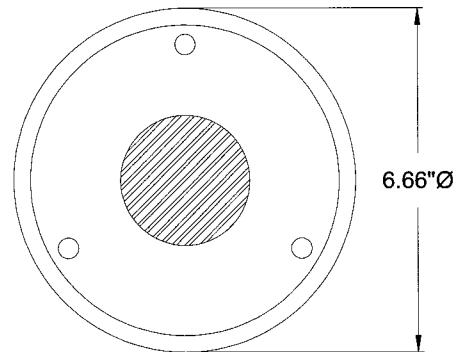
**LENS** - Supertex, borosilicate glass, and clear Pyrex protective cover.

**HOUSING FINISH** - Polyester black powder coat for mar-resistance and increased weatherability.

**TRIM FINISH** - Powder paint. RAL colors standard, consult factory for custom finishes.

APPLICATIONS

Round aperture, recessed wall wash. Perfect for outdoor wall wash applications.



ORDERING INFORMATION

FIXTURE	LAMP	TRIM FINISH
#1002-6		
Recessed adjustable wall wash	<b>20MR-16</b> = 12v, 20w <b>37MR-16</b> = 12v, 37w	<b>WHT</b> = White <b>BLK</b> = Black <b>XXXX</b> = RAL # <b>CST</b> = Custom (must supply chip)



**SPECIALTY LIGHTING INDUSTRIES, INC.** ©2004

1306 DORIS AVENUE OCEAN, NJ 07712 800.462.7812 732.517.0800 FAX 732.517.0971 [www.specialtylightingindustries.com](http://www.specialtylightingindustries.com)

These specifications subject to change without notice.