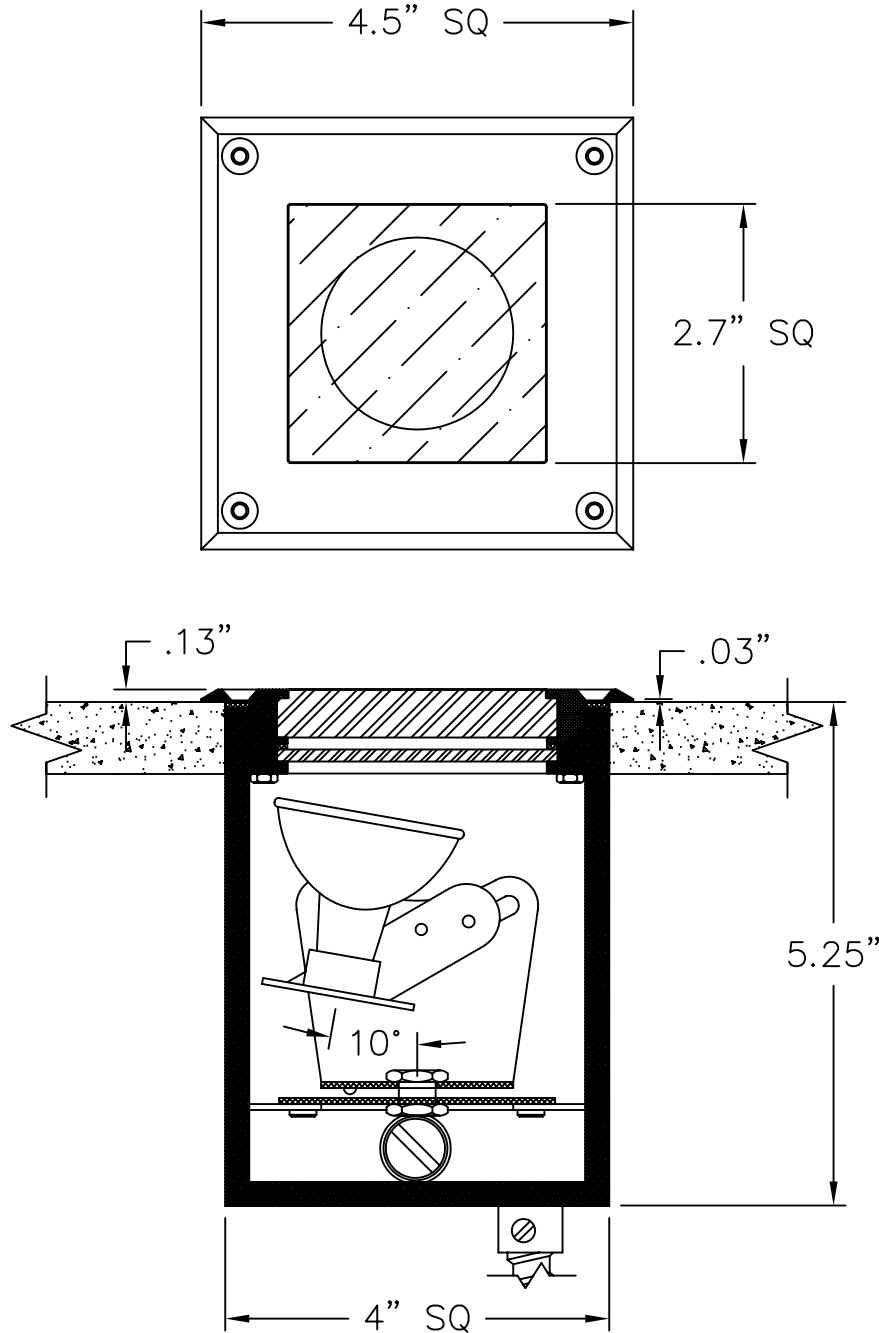


JOB:	APPROVED BY:	
SPECIFIER:	DATE APPROVED:	
PURCHASER:	COMMENTS:	
SLI PRODUCT NO: 1002-4 SQ	HOUSING FINISH: TBD	
TYPE:	TRIM FINISH: TBD	
WATTS/FT:	QUANTITY:	DATE: 01-24-08

LAMP - MR16, 12V, 50W - SUPPLIED BY OTHERS
 REMOTE TRANSFORMER REQUIRED - SOLD SEPARATELY

LENSES - SUPERTEX & PYREX



SPECIALTY LIGHTING
 INDUSTRIES, INC.

1306 DORIS AVENUE, OCEAN, NJ 07712 USA

800.462.7812

www.specialtylightingindustries.com

732.517.0800

FAX 732.517.0971

DRAWN BY: EDD