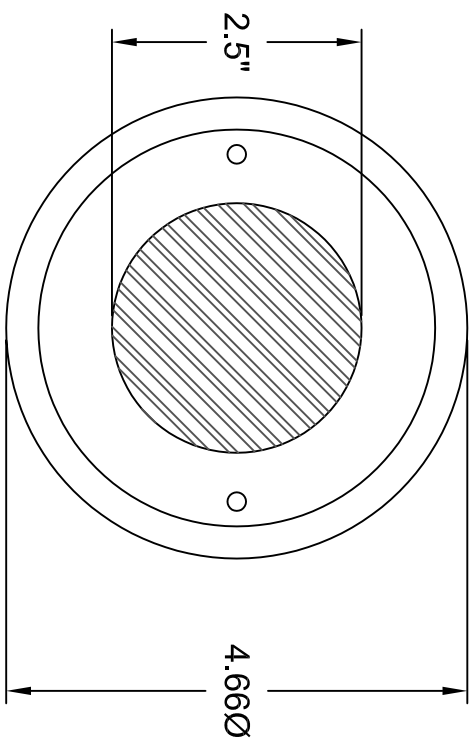
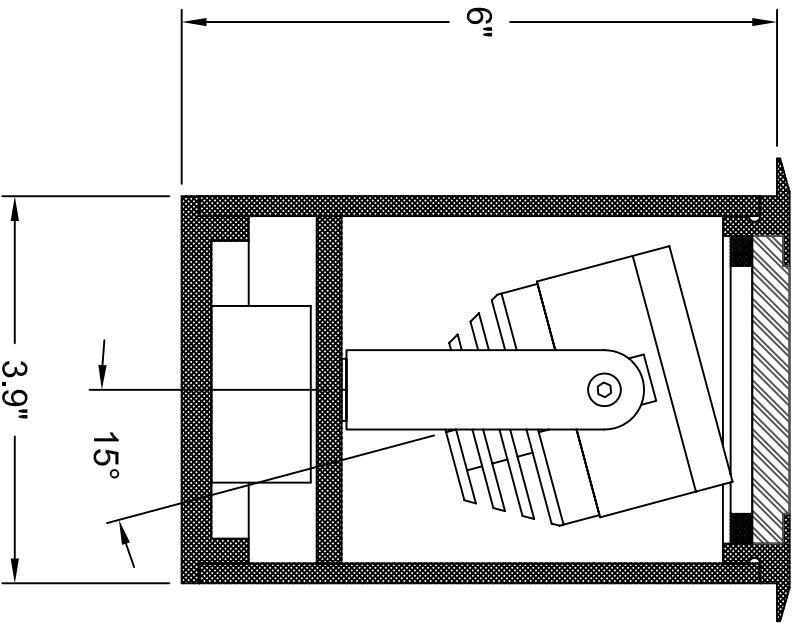


PRELIMINARY DRAWING

JOB:	SLI PRODUCT NO: 1002-4-LED
SPECIFIER:	LAMP: 10W, LED
TYPE:	VOLTAGE: 120V
QUANTITY:	HOUSING FINISH: TBD
	DATE: 06-04-09



TOP VIEW



SPECIALTY LIGHTING  
INDUSTRIES, INC.

1306 DORIS AVENUE, OCEAN, NJ 07712 USA

800.462.7812

732.517.0800

DRAWN BY: JM  
www.specialtylightingindustries.com  
FAX 732.517.0971