

Single lamp, metal halide, recessed accent light, conical trim with 2" aperture and gasketed trim. Suitable for installation in ceiling of showers and other wet locations.

TYPE: \_\_\_\_\_

JOB: \_\_\_\_\_

SPECIFIER: \_\_\_\_\_

**SPECIFICATIONS**

**HOUSING** - Precision die-formed heavy gauge aluminum with machined adjustable ceiling collar.

**MOUNTING** - Recessed into stone, tile or sheetrock ceiling.

**ELECTRICAL** - Integral electronic ballast. 120v primary lead, (220v, 240v, 277v available). External thermoprotector.

**LAMP** - MR-16, 20w or 39w supplied by others.

**LABELS** - UL, C-UL, Wet Location

**SOCKET** - Precision die formed aluminum yoke with CNC machined lampholder assembly. GX10 ceramic socket with high temperature, silicone coated lead wires.

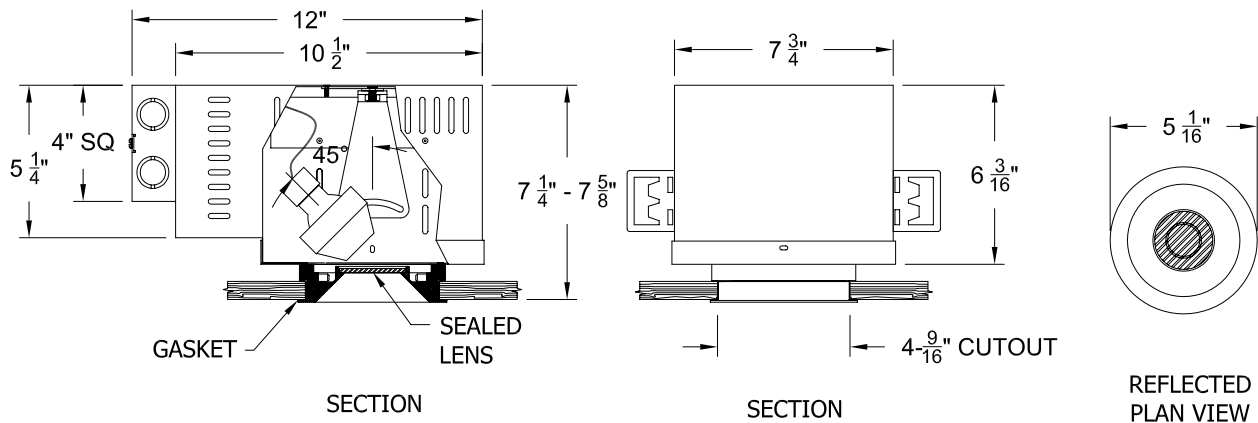
**LENS** - Sealed borosilicate aperture lens.

**TRIM** - Flanged, fully gasketed, CNC machined conical shield with pinhole aperture.

**FINISH** - Black powder paint housing. Aperture trim available in black white or RAL colors as standard. Consult factory for custom finishes.

**APPLICATIONS**

Accent and downlighting in wet locations. Suitable for new construction .



**ORDERING INFORMATION**

HOUSING	TRIM	BALLAST	LENS HOLDER	LAMP LENS	TRIM FINISH	APERTURE LENS
1001SL-MR16MH-WH	FT	<b>WATTS/VOLTS</b>				
Flangeless housing	FT = Flanged Trim	20/120 39/120 20/220 39/220 20/240 39/240 20/277 39/277	CL= Conical FL = Flat IL = Indexed	91L = Solite 92L = Supertex 93L = Sandblasted 94L = Clear 95L = Full Prismatic	WHT = White BLK = Black PXX = SLI Color XXXX = RAL # CST = Custom	91A = Solite 92A = Supertex 93A = Sandblasted 94A = Clear 95A = Full Prismatic



**SPECIALTY LIGHTING INDUSTRIES, INC.**

NOTE: These specifications subject to change without notice.

[www.specialtylightingindustries.com](http://www.specialtylightingindustries.com)

1306 DORIS AVENUE, OCEAN, NJ 07712 USA 800.462.7812 732.517.0800 FAX 732.517.0971 © 2006