

Single lamp, low-voltage halogen, recessed accent light with conical trim 2" aperture and optional glass diffuser.

TYPE: \_\_\_\_\_

JOB: \_\_\_\_\_

SPECIFIER: \_\_\_\_\_

**SPECIFICATIONS**

**HOUSING** - Precision die-formed heavy gauge aluminum with machined adjustable ceiling collar.

**MOUNTING** - Recessed in architectural ceiling.

**ELECTRICAL** - Integral dimmable electronic transformer. 120v primary lead, (220v, 240v, 277v available), 11.75v secondary with overload protection. External thermoprotector.

**LAMP** - MR-16, 50w max. supplied by others.

**LABELS** - CSA-C,US, Damp Location, Wet with ST trim.

**SOCKET** - Precision die-formed aluminum yoke with CNC machined lampholder assembly. G4/G6 ceramic socket with high temperature, teflon coated lead wires.

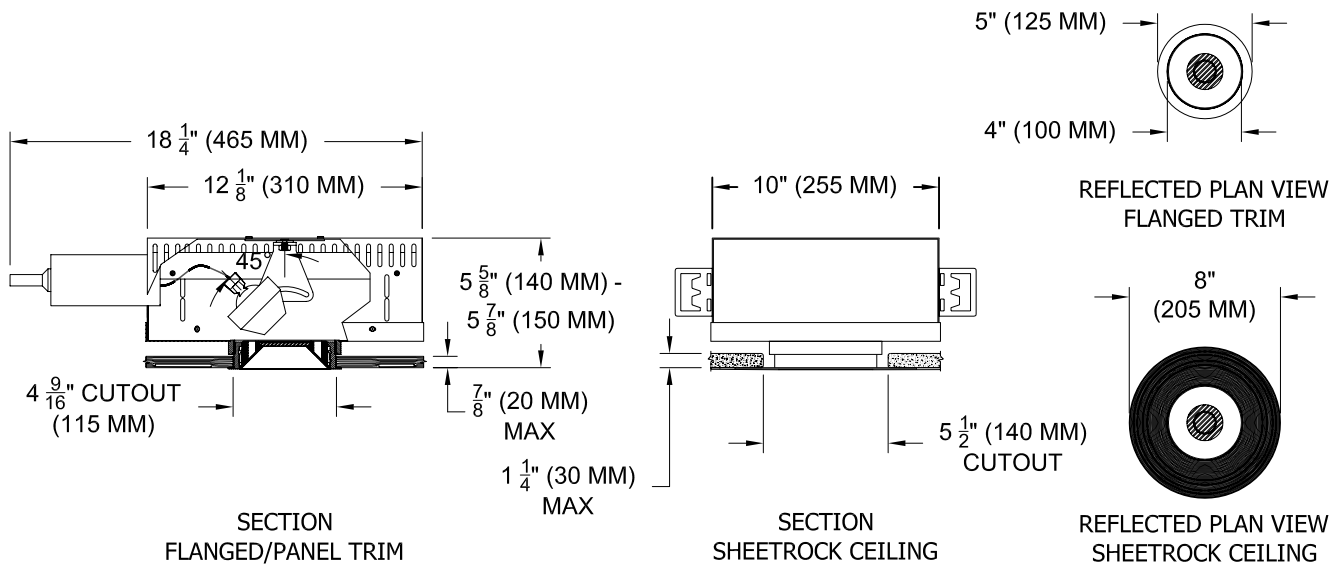
**LENS** - Clear pyrex safety lens. Optional borosilicate lenses available for lampholder and aperture.

**TRIM** - Flanged or flangeless, one piece die-cast aluminum conical shield. ST trim fully sealed and gasketed.

**FINISH** - Black powder paint housing. Aperture trim available in black and white as standard. Solid wood, additional colors and RAL palette available. Consult factory for custom finishes.

**APPLICATIONS**

Accent and downlighting in low to medium ceiling heights typically found in residential, commercial and retail applications. Suitable for new construction. Zero trim can be used with in solid surface ceilings such as wood, stone, metal panel or glass.



**ORDERING INFORMATION**

HOUSING	TRIM	TRANSFORMER	LENS HOLDER	LAMP LENS	TRIM FINISH	APERTURE LENS
1001-MR16-SUH						
Shallow Universal Housing	<b>FT</b> = Flanged Trim <b>PT</b> = Panel Trim <b>ST</b> = Shower Trim <b>ZT</b> = Zero Trim	<b>EX</b> = Electronic <b>RX</b> = Remote	<b>CL</b> = Conical <b>FL</b> = Flat <b>IL</b> = Indexed	<b>90L</b> = Clear <b>91L</b> = Solite <b>92L</b> = Supertex <b>95L</b> = Full Prismatic <b>96L</b> = Black Hexcell	<b>P14</b> = White <b>PXX</b> = SLI Color <b>WXX</b> = Wood <b>XXXX</b> = RAL # <b>CST</b> = Custom	<b>Blank</b> = None <b>91A</b> = Solite <b>92A</b> = Supertex <b>93A</b> = Sandblasted <b>95A</b> = Full Prismatic



**SPECIALTY LIGHTING INDUSTRIES, INC.**

NOTE: These specifications subject to change without notice.

[www.specialtylightingindustries.com](http://www.specialtylightingindustries.com)

1306 DORIS AVENUE, OCEAN, NJ 07712 USA 800.462.7812 732.517.0800 FAX 732.517.0971 © 04/10