

Multi-lamp, low-voltage halogen, recessed accent light, flat trim with 2" aperture and optional glass diffuser.

TYPE: \_\_\_\_\_

JOB: \_\_\_\_\_

SPECIFIER: \_\_\_\_\_

**SPECIFICATIONS**

**HOUSING** - Precision die-formed heavy gauge aluminum with machined adjustable ceiling collar.

**MOUNTING** - Recessed in architectural ceiling.

**ELECTRICAL** - Integral dimmable electronic or toroidal magnetic transformer. 120v primary lead, (220v, 240v, 277v available), 11.75v secondary with overload protection. External thermoprotector.

**LAMP** - MR-16, 50w max. supplied by others.

**LABELS** - UL, C-UL, Damp location, Wet with ST trim.

**SOCKET** - Precision die-formed aluminum yoke with CNC machined lampholder assembly. G4/G6 ceramic socket with high temperature, teflon coated lead wires.

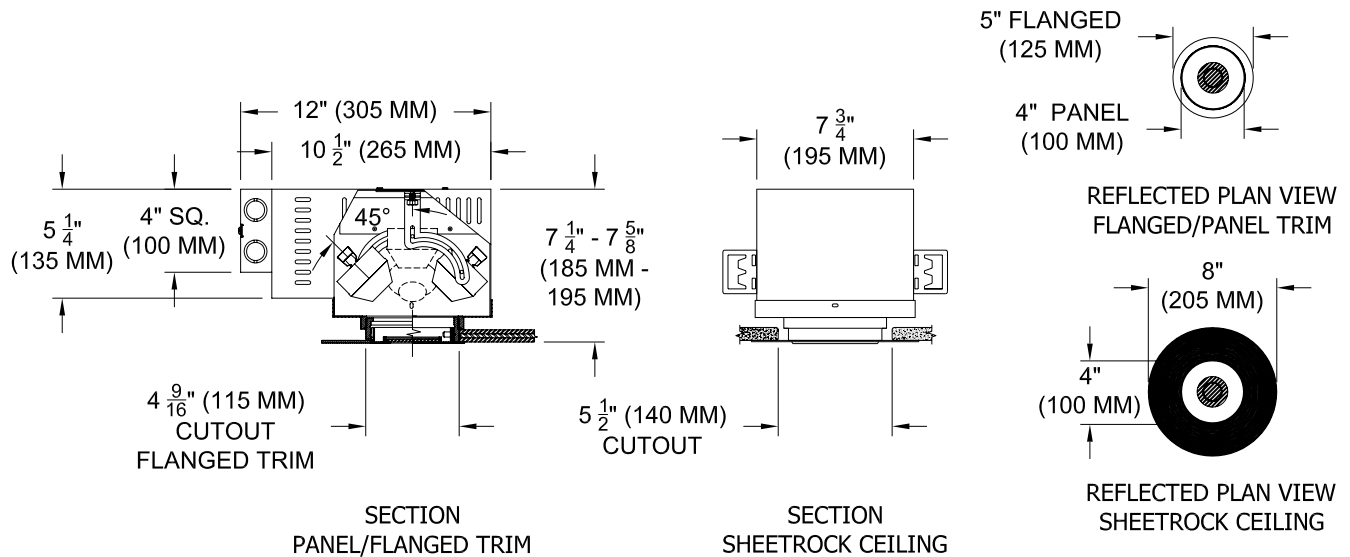
**LENS** - Clear pyrex safety lens. Optional borosilicate lenses available for lampholder and aperture.

**TRIM** - Flanged or flangeless CNC machined plate with pinhole aperture. ST trim fully sealed and gasketed.

**FINISH** - Black powder paint housing. Aperture trim stocked in black and white. Additional colors and RAL palette available. Consult factory for custom finishes. Wood trim available.

**APPLICATIONS**

Accent and downlighting in low to medium ceiling heights typically found in residential, commercial and retail applications. Suitable for new construction. Zero trim can be used with in solid surface ceilings such as wood, stone, metal panel or glass.



**ORDERING INFORMATION**

HOUSING	TRIM	TRANSFORMER	LENS HOLDER	LAMP LENS	TRIM FINISH	APERTURE LENS
1000M-MR16-UH						
Universal Housing 2MR16 = 2 lamp 3MR16 = 3 lamp	FT = Flanged Trim PT = Panel Trim ZT = Zero Trim	TX = Magnetic EX = Electronic EX2 = 2 cir Elect. RX = Remote	CL= Conical FL = Flat IL = Indexed	90L = Clear 91L = Solite 92L = Supertex 95L = Full Prismatic 96L = Black Hexcell	P14 = White PXX = SLI Color WXX = Wood XXXX = RAL # CST = Custom	Blank = None 91A = Solite 92A = Supertex 93A = Sandblasted 95A = Full Prismatic



**SPECIALTY LIGHTING INDUSTRIES, INC.**

NOTE: These specifications subject to change without notice.

[www.specialtylightingindustries.com](http://www.specialtylightingindustries.com)

1306 DORIS AVENUE, OCEAN, NJ 07712 USA 800.462.7812 732.517.0800 FAX 732.517.0971 © 03/10