

Single lamp, solid state light engine, recessed accent light, nominal 4" (100mm)diameter flat trim with 2" (50mm)aperture and optional glass diffuser.

TYPE: \_\_\_\_\_

JOB: \_\_\_\_\_

SPECIFIER: \_\_\_\_\_

**SPECIFICATIONS**

**HOUSING** - Precision die-formed heavy gauge aluminum with machined adjustable ceiling collar.

**MOUNTING** - Recessed in architectural ceiling.

**ELECTRICAL** - Integral dimmable electronic driver with internal short circuit protection. 120v-277v primary, compatible with 0-10v dimmers.

**LAMP** - Xicato LED supplied with fixture. Available in 2700 or 3000K color temperature and 80 or 95 CRI.

**LABELS** - CSA-C,US, Damp Location, Wet with ST trim.

**SOCKET** - Precision aluminum yoke with CNC machined lampholder assembly. LED module can be replaced in the field.

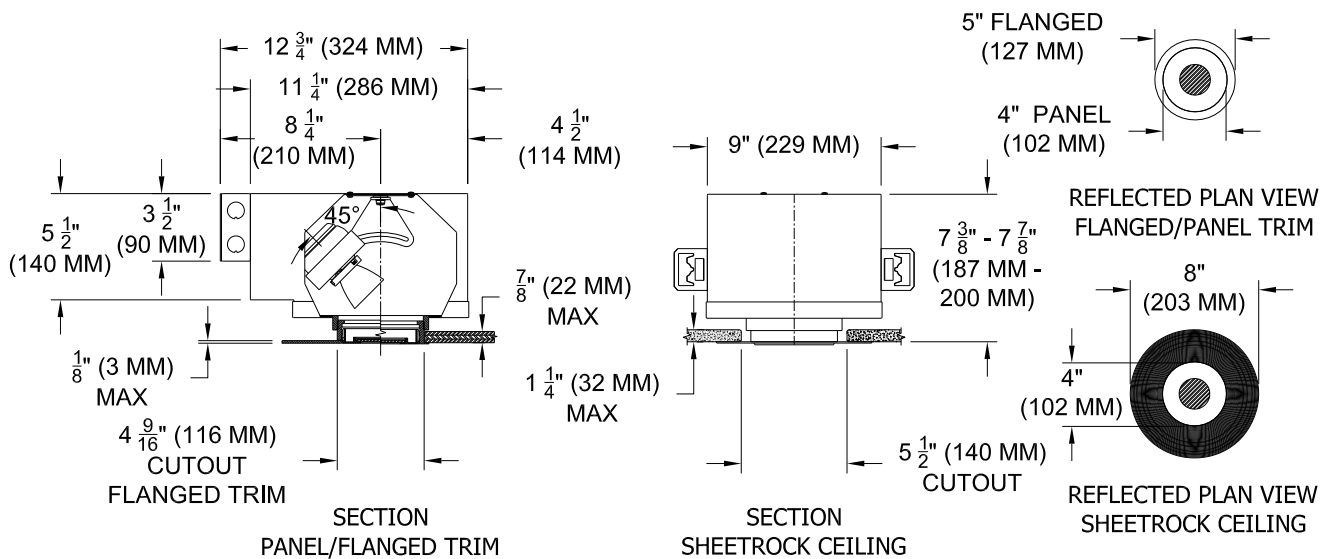
**LENS** - Interchangeable reflector provides multiple beam patterns. Optional borosilicate lenses available for aperture.

**TRIM** - Flanged CNC machined plate with pinhole aperture. ST trim fully sealed and gasketed.

**FINISH** - Black powder paint housing. Aperture trim available in black and white as standard. Solid wood, additional colors and RAL palette available. Consult factory for custom finishes.

**APPLICATIONS**

Accent and downlighting in medium to high ceiling heights typically found in residential, commercial and retail applications. Suitable for new construction.



**ORDERING INFORMATION**

HOUSING	TRIM	DRIVER	BEAMSPREAD	TRIM FINISH	APERTURE LENS
1000-LEDX__-UH					
Universal Housing 827 = 2700K 80CRI 927 = 2700K 95CRI 830 = 3000K 80CRI 930 = 3000K 95CRI	<b>FT</b> = Flanged Trim <b>PT</b> = Panel Trim <b>ST</b> = Shower Trim <b>ZT</b> = Zero Trim	<b>125</b> = 120v-277v HE <b>127</b> = 120v-277v HO	<b>20</b> = 20 Degrees <b>30</b> = 30 Degrees <b>40</b> = 40 Degrees	<b>P14</b> = White <b>PXX</b> = SLI Color <b>WXX</b> = Wood <b>XXXX</b> = RAL # <b>CST</b> = Custom	<b>Blank</b> = None <b>91A</b> = Solite <b>92A</b> = Supertex <b>93A</b> = Frosted <b>95A</b> = Full Prismatic

[CLICK HERE](#) for LED and driver performance information including wattage and lumen output or go to [www.specialtylightingindustries.com](http://www.specialtylightingindustries.com).



**SPECIALTY LIGHTING INDUSTRIES, INC.**

NOTE: These specifications subject to change without notice.

[www.specialtylightingindustries.com](http://www.specialtylightingindustries.com)

1306 DORIS AVENUE, OCEAN, NJ 07712 USA 800.462.7812 732.517.0800 FAX 732.517.0971 © 04/12